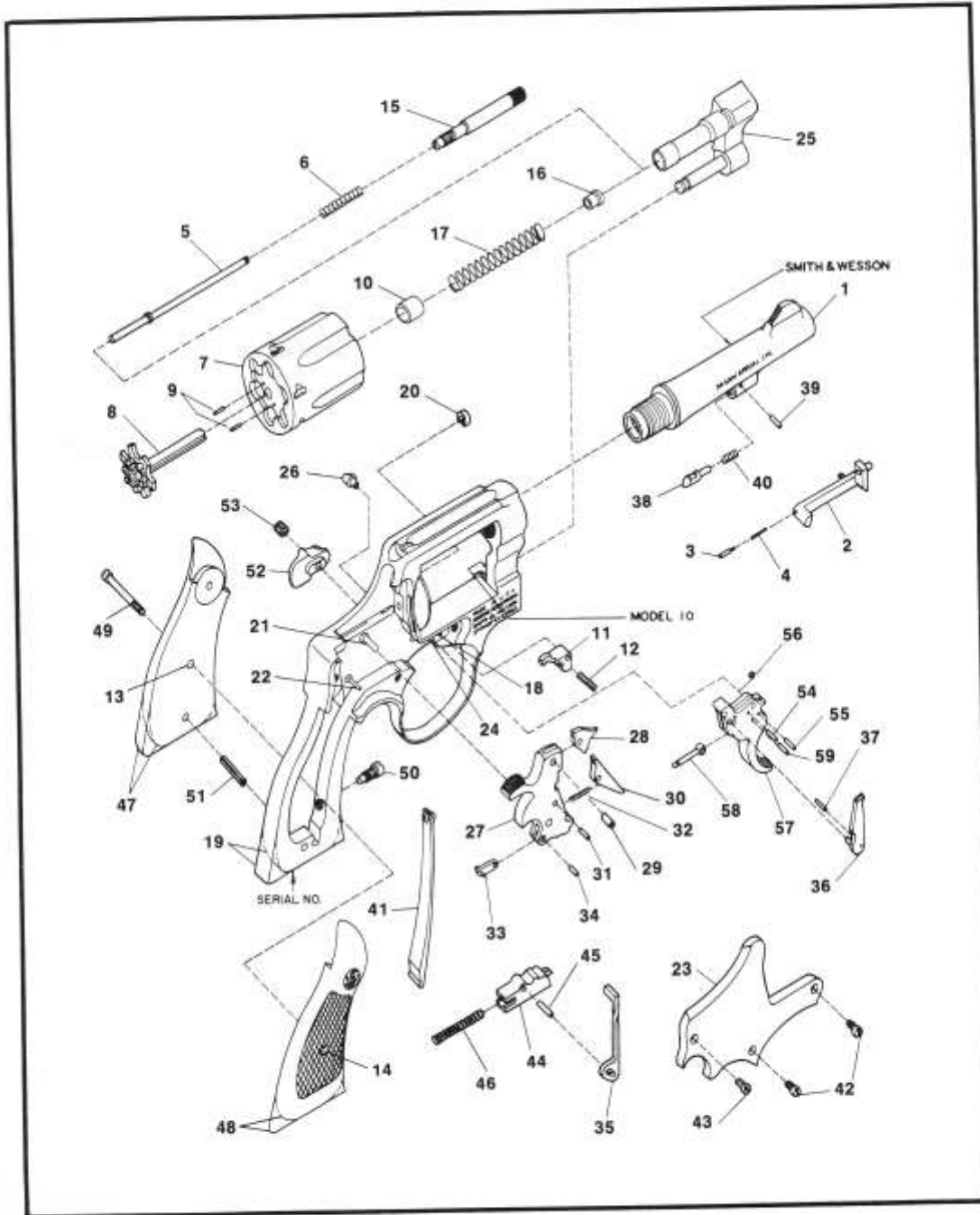


MODEL NO. 10-7 MODEL NO. 10-8 .38 MILITARY & POLICE K FRAME .38 CALIBER REVOLVER



EXPLODED VIEW DIAGRAM.

MODEL 10

Exploded parts drawing and parts list for Smith & Wesson firearms.

**MODEL NO. 10-7 MODEL NO. 10-8
K FRAME .38 CALIBER REVOLVER
PARTS PRICE SCHEDULE**

View #	Part Number	Part Description	View #	Part Number	Part Description
1	056830000	Barrel, 2"	35	050840000	Hammer Block
1	057040000	Barrel, 3"	36	077680000	Hand
1	044950000	Barrel, 4 1/4"	37	070110000	Hand Pin
1	031720000	Barrel, 3", Heavy	38	051470000	Locking Bolt for 2" barrel
1	044930000	Barrel, 4 1/4", Heavy	38	050430000	Locking Bolt over 2" barrel
2	045770000	Bolt	39	050440000	Locking Bolt Pin for 2" barrel
3	070980000	Bolt Plunger	39	051440000	Locking Bolt Pin over 2" barrel
4	070200000	Bolt Plunger Spring	40	050450000	Locking Bolt Spring
5	049880000	Center Pin for 2" barrel	41	050470000	Mainspring
5	049890000	Center Pin over 2" barrel	42	050490000	Yoke Screw, Crowned
6	074640000	Center Pin Spring	43	030910000	Plate Screw, Flat Head
7-10	033260000	Cylinder Assembly	44-45	041650000	Rebound Slide Ass'y.
		Includes:			Includes:
7	046300000	Cylinder (1)	44	041650000	Rebound Slide (1)
8	046240000	* Extractor	45	050830000	Rebound Slide Pin
9	050140000	Extractor Pin	46	050740000	Rebound Slide Spring
10	045550000	Gas Ring	47-49	161080000	Stock Ass'y., Ckrd. Walnut, Rd.
11	053570000	Cylinder Stop			Includes:
12	070550000	Cylinder Stop Spring	47	032470000	Stock, left (1)
13	040670000	Escutcheon	48	032480000	Stock, right (1)
14	040680000	Escutcheon Nut	49	072270000	Stock Screw
15	054540000	Extractor Rod for 2" barrel	47-49	161040000	Stock Ass'y., Ckrd. Walnut, Sq.
15	054550000	Extractor Rod over 2" barrel			Includes:
16	076850000	Extractor Rod Collar	47	032430000	Stock, left (1)
17	075460000	Extractor Spring	48	032440000	Stock, right (1)
18-25	034040000	*Frame Ass'y., Round Butt	49	070510000	Stock Screw
18-25	034000000	*Frame Ass'y., Square Butt	50	050350000	Strain Screw, Round Butt
18-25	034030000	*Frame Ass'y., Round Butt, Heavy	50	050640000	Strain Screw, Square Butt
18-25	034070000	*Frame Ass'y., Square Butt, Heavy	51	050620000	Stock Pin
		Includes:	52	055850000	Thumbpiece
18	031540000	Cylinder Stop Stud	53	050710000	Thumbpiece Nut
19	—	* Frame	54-59	045960000	Trigger Ass'y., 2", 3" & 4 1/4" barrels ..
20	050360000	Hammer Nose Bushing			Includes:
21	031550000	Hammer Stud	54	070190000	Hand Spring Pin
22	031540000	Rebound Slide Stud	55	070190000	Hand Spring Torsion Pin
23	051290000	* Sideplate	56	051180000	Hand Torsion Spring
24	050780200	Trigger Stud	57	031170000	Trigger, Sm. Tgt. .312" (1)
25	044670000	* Yoke	58	070270000	Trigger Lever
26	032900000	Frame Lug	59	070190000	Trigger Lever Pin
27-34	043710000	Hammer Ass'y., .265"	54-59	043560000	Trigger Ass'y., 5" & 6" barrels
		Includes:			Includes:
27	-31340000	Hammer (1)	57	050720000	Trigger, Serrated .265" (1)
28	051330000	Hammer Nose			
29	050340000	Hammer Nose Rivet			
30	051130000	Sear			
31	070190000	Sear Pin			
32	070200000	Sear Spring			
33	070210000	Stirrup			
34	070190000	Stirrup Pin			

* Requires factory installation.
Note (1): Sold as an assembly only.
N.I. = Not illustrated.

SPECIFY MODEL NUMBER, FINISH, PART NUMBER AND PART NAME WHEN ORDERING PARTS.