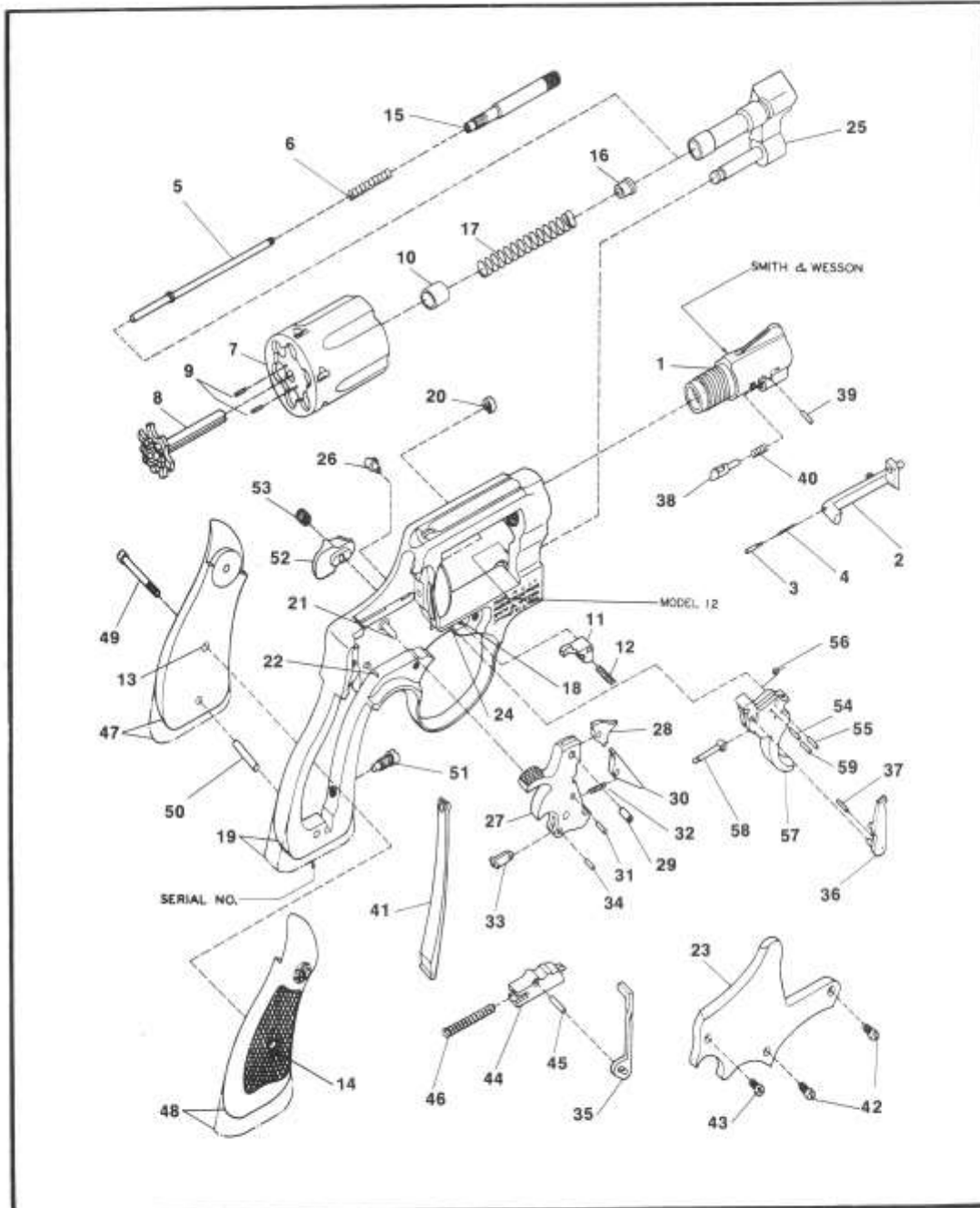


MODEL NO. 12

.38 MILITARY & POLICE REVOLVER

K FRAME .38 CALIBER REVOLVER



EXPLODED VIEW DIAGRAM.

MODEL 12

MODEL NO. 12 K FRAME .38 CALIBER REVOLVER PARTS PRICE SCHEDULE

View #	Part Number	Part Description	View #	Part Number	Part Description
1	056840000	Barrel 2"	41	050470000	Mainspring
1	044960000	Barrel 4"	42	055560000	Plate Screw, Crowned
-	055330000	Barrel Pin, N.I.	43	030910000	Plate Screw, Flat Head
2	055950000	Bolt	44-45	043800000	Rebound Slide Ass'y.
3	070980000	Bolt Plunger			Includes:
4	070200000	Bolt Plunger Spring	44	055570000	Rebound Slide (1)
5	074690000	Center Pin for 2" barrel	45	055580000	Rebound Slide Pin
5	049890000	Center Pin over 2" barrel	46	050740000	Rebound Slide Spring
6	074640000	Center Pin Spring	47-49	161010000	Stk. Ass'y., Ckrd. Walnut, Rd. Butt
7-10	046310000	Cylinder Ass'y.			Includes:
7	058010000	Cylinder (1)	47	055630000	Stock, left (1)
8	046280000	* Extractor	48	055650000	Stock, right (1)
9	050140000	Extractor Pin	49	071120000	Stock Screw
10	045550000	Gas Ring	47-49	161020000	Stk. Ass'y., Ckrd. Walnut, Sq. Butt
11	053580000	Cylinder Stop			Includes:
12	070550000	Cylinder Stop Spring	47	058340000	Stock, left (1)
13	040670000	Escutcheon	48	058360000	Stock, right (1)
14	040680000	Escutcheon Nut	49	071120000	Stock Screw
15	054540000	Extractor Rod for 2" barrel	50	057290000	Stock Pin
15	054550000	Extractor Rod over 2" barrel	51	050350000	Strain Screw, Round Butt
16	076850000	Extractor Rod Collar	51	050640000	Strain Screw, Square Butt
17	075460000	Extractor Spring	52	055960000	Thumbpiece
18-25	045530000	*Frame Ass'y., Round Butt	53	050710000	Thumbpiece Nut
18-25	045540000	*Frame Ass'y., Square Butt	54-59	043810000	Trigger Ass'y., .265", Serrated
		Includes:			Includes:
18	055450000	Cylinder Stop Stud	54	070810000	Hand Spring Pin
19	-	* Frame (1)	55	070810000	Hand Spring Torsion Pin
20	050360000	Hammer Nose Bushing	56	051180000	Hand Torsion Spring
21	055430000	Hammer Stud	57	055700000	Trigger, Sm. Tgt. .265" (1)
22	055440000	Rebound Slide Stud	58	070270000	Trigger Lever
23	055610000	* Sideplate	59	070810000	Trigger Lever Pin
24	056270000	Trigger Stud			
25	044680000	* Yoke			
26	055460000	Frame Lug			
27-34	043690000	Hammer Ass'y., .265"			
		Includes:			
27	055470000	Hammer (1)			
28	051330000	Hammer Nose			
29	052930000	Hammer Nose Rivet			
30	051130000	Sear			
31	070810000	Sear Pin			
32	070200000	Sear Spring			
33	070210000	Stirrup			
34	070810000	Stirrup Pin			
35	055500000	Hammer Block			
36	055510000	Hand			
37	055540000	Hand Pin			
38	051470000	Locking Bolt for 2" barrel			
38	050430000	Locking Bolt over 2" barrel			
39	050440000	Locking Bolt Pin			
40	050450000	Locking Bolt Spring			

* Requires factory installation.
Note (1): Sold as an assembly only.
N.I. = Not illustrated.

SPECIFY MODEL NUMBER, FINISH, PART NUMBER AND PART NAME WHEN ORDERING PARTS.