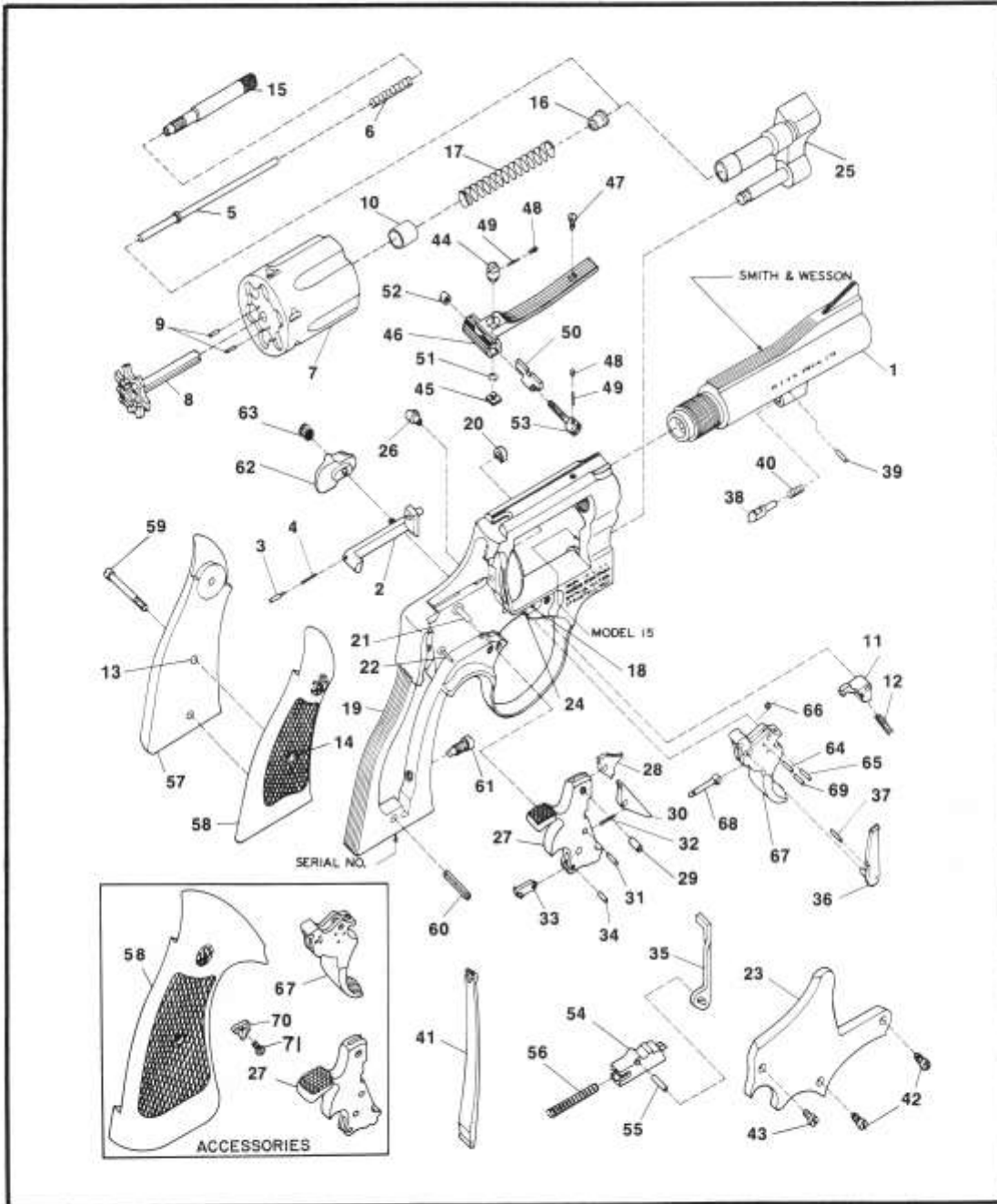


MODEL NO. 15-4 COMBAT MASTERPIECE K FRAME .38 CALIBER REVOLVER



EXPLODED VIEW DIAGRAM.

MODEL 15

MODEL NO. 15-4 K FRAME .38 CALIBER REVOLVER PARTS PRICE SCHEDULE

View #	Part Number	Part Description	View #	Part Number	Part Description
1	050570000	Barrel, 2"	46	055640000	Rear Sight Leaf
1	044980000	Barrel, 4 1/8"	47	030920000	Rear Sight Leaf Screw
2	045770000	Bolt	48	071580000	Rear Sight Plunger
3	070980000	Bolt Plunger	49	071590000	Rear Sight Plunger Spring
4	070200000	Bolt Plunger Spring	50	051090000	Rear Sight Slide, Blue
5	049910000	Center Pin, 2" Barrel	51	051050000	Rear Sight Spring Clip
5	049890000	Center Pin, over 2" Barrel	52	051070000	Rear Sight Windage Nut
6	074640000	Center Pin Spring	53	071880000	Rear Sight Windage Screw
7-10	033260000	Cylinder Assembly	44-53	040800000	Rear Sight Ass'y., 4" Bbl, Blue
		Includes:			Includes:
7	033260000	Cylinder (1)	46	057860000	Rear Sight Leaf
8	046240000	* Extractor	50	040700000	Rear Sight Slide, Blue
9	050140000	Extractor Pin	44-53	—	Rear Sight Ass'y., 2" Bbl, W.O.
10	045550000	Gas Ring			Includes:
11	053570000	Cylinder Stop	46	055640000	Rear Sight Leaf
12	070550000	Cylinder Stop Spring	50	059000000	Rear Sight Slide, W.O.
13	040670000	Escutcheon	44-53	040880000	Rear Sight Ass'y., 4" Bbl, W.O.
14	040680000	Escutcheon Nut			Includes:
15	050600000	Extractor Rod, 2" Barrel	46	057860000	Rear Sight Leaf
15	054550000	Extractor Rod, Over 2" Barrel	50	040750000	Rear Sight Slide, W.O.
16	076850000	Extractor Rod Collar	54-55	041650000	Rebound Slide Assembly
17	075460000	Extractor Spring			Includes:
18-25	045400000	*Frame Ass'y., 2" Wide Rib	54	041650000	Rebound Slide (1)
18-25	045460000	*Frame Ass'y., 4" Narrow Rib	55	050830000	Rebound Slide Pin
		Includes:	56	050740000	Rebound Slide Spring
18	031540000	Cylinder Stop Stud	57-59	161040000	Stock Ass'y., Ckrd. Walnut, P.C., 2"
19	—	* Frame (1)			Includes:
20	050360000	Hammer Nose Bushing	57	032430000	Stock, left (1)
21	031550000	Hammer Stud	58	032440000	Stock, right (1)
22	050790100	Rebound Slide Stud	59	070510000	Stock Screw
23	051290000	* Sideplate	57-59	161070000	Stock Ass'y., Ckrd. Walnut, SQ. 4"
24	050780200	Trigger Stud			Includes:
25	044670000	* Yoke	57	032450000	Stock, left (1)
26	032900000	Frame Lug	58	032460000	Stock, right (1)
27-34	043550000	Hammer Ass'y., .375"	59	071910000	Stock Screw
		Includes:	57-59	164200000	Stock Ass'y., Tgt. Ckrd. Walnut Sq.
27	031350000	Hammer (1)			Includes:
28	051330000	Hammer Nose	58	032120000	Stock, left (1) N.I.
29	050340000	Hammer Nose Rivet	58	032130000	Stock, right (1)
30	051130000	Sear	59	072630000	Stock Screw
31	070190000	Sear Pin	60	050620000	Stock Pin
32	070200000	Sear Spring	61	050640000	Strain Screw
33	070210000	Stirrup	62	055850000	Thumbpiece
34	070190000	Stirrup Pin	63	050710000	Thumbpiece Nut
27-34	043760000	Hammer Ass'y., Tgt. .500"	63-69	045960000	Trigger Ass'y., Sm. Tgt., .312"
		Includes:			Includes:
27	031360000	Hammer, Tgt. (1)	64	070190000	Hand Spring Pin
35	050840000	Hammer Block	65	070190000	Hand Spring Torsion Pin
36	077680000	Hand	66	051180000	Hand Torsion Spring
37	070110000	Hand Pin	67	031170000	Trigger (1)
38	050280000	Locking Bolt, 2" Barrel	68	070270000	Trigger Lever
38	050430000	Locking Bolt, Over 2" Barrel	60	070190000	Trigger Lever Pin
39	050240000	Locking Bolt Pin, 2" Barrel	63-69	046780000	Trigger Ass'y., Tgt. Serrated .400"
39	050440000	Locking Bolt Pin, Over 2" Barrel			Includes:
40	050450000	Locking Bolt Spring	67	031160000	Trigger, Target (1)
41	050470000	Mainspring	70	074430000	Trigger Stop
42	050490000	Yoke Screw, Crowned	71	030920000	Trigger Stop Screw
43	030910000	Plate Screw, Flat Head			
44-53	041630000	Rear Sight Ass'y., 2" Bbl, blue			
		Includes:			
44	051020000	Rear Sight Elevation Nut			
45	071800000	Rear Sight Elevation Stud			

* Requires factory installation.

Note (1): Sold as an assembly only.

N.I. = Not illustrated.

SPECIFY MODEL NUMBER, FINISH, PART NUMBER AND PART NAME WHEN ORDERING PARTS.