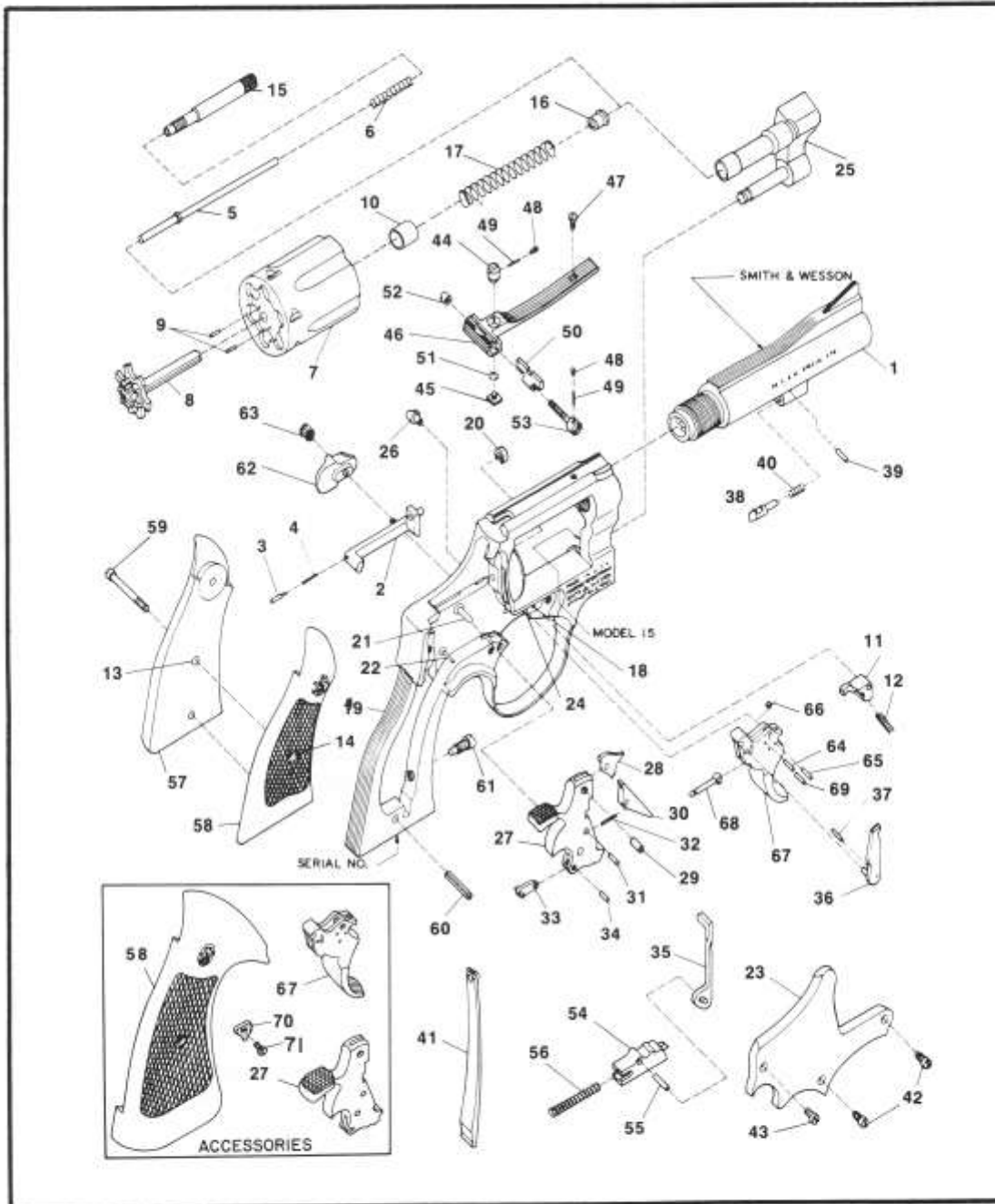


MODEL NO. 15-5 COMBAT MASTERPIECE K FRAME .38 CALIBER REVOLVER



EXPLODED VIEW DIAGRAM.

MODEL 15

MODEL NO. 15-5
K FRAME .38 CALIBER REVOLVER
PARTS PRICE SCHEDULE

<i>View #</i>	<i>Part Number</i>	<i>Part Description</i>	<i>View #</i>	<i>Part Number</i>	<i>Part Description</i>
1	048000000	Barrel, 2"	46	057860000	Rear Sight Leaf
1	048010000	Barrel, 4"	47	030920000	Rear Sight Leaf Screw
1	048020000	Barrel, 6"	48	071580000	Rear Sight Plunger
1	048030000	Barrel, 8 1/2"	49	071590000	Rear Sight Plunger Spring
2	045770000	Bolt	50	040710000	Rear Sight Slide, Blue
3	070980000	Bolt Plunger	51	051050000	Rear Sight Spring Clip
4	070200000	Bolt Plunger Spring	52	051070000	Rear Sight Windage Nut
5	049910000	Center Pin, 2" Barrel	53	071880000	Rear Sight Windage Screw
5	049890000	Center Pin, over 2" Barrel	44-53	040810000	Rear Sight Ass'y., 4" Bbl, Blue
6	074640000	Center Pin Spring			Includes:
7-10	033260000	Cylinder Assembly	46	057860000	Rear Sight Leaf
		Includes:	50	040710000	Rear Sight Slide, Blue
7	033260000	Cylinder (1)	44-53	—	Rear Sight Ass'y., 2" Bbl, W.O.
8	046240000	* Extractor			Includes:
9	050140000	Extractor Pin	46	055640000	Rear Sight Leaf
10	045550000	Gas Ring	50	059000000	Rear Sight Slide, W.O.
11	053570000	Cylinder Stop	44-53	040880000	Rear Sight Ass'y., 4" Bbl, W.O.
12	070550000	Cylinder Stop Spring			Includes:
13	040670000	Escutcheon	46	057860000	Rear Sight Leaf
14	040680000	Escutcheon Nut	50	040750000	Rear Sight Slide, W.O.
15	050600000	Extractor Rod, 2" Barrel	54-55	041650000	Rebound Slide Assembly
15	054550000	Extractor Rod, Over 2" Barrel			Includes:
16	076850000	Extractor Rod Collar	54	041650000	Rebound Slide (1)
17	075460000	Extractor Spring	55	050830000	Rebound Slide Pin
18-25	034160000	*Frame Ass'y., Wide Rib	56	050740000	Rebound Slide Spring
		Includes:	57-59	161040000	Stock Ass'y., Ckrd. Walnut, P.C., 2"
18	031540000	Cylinder Stop Stud			Includes:
19	—	* Frame (1)	57	032430000	Stock, left (1)
20	050360000	Hammer Nose Bashing	58	032440000	Stock, right (1)
21	031550000	Hammer Stud	59	070510000	Stock Screw
22	050790100	Rebound Slide Stud	57-59	161070000	Stock Ass'y., Ckrd. Walnut, SQ. 4"
23	051290000	* Sideplate			Includes:
24	050780200	Trigger Stud	57	032450000	Stock, left (1)
25	044670000	* Yoke	58	032460000	Stock, right (1)
26	050460100	Frame Lug	59	071910000	Stock Screw
27-34	043550000	Hammer Ass'y., .375"	57-59	164200000	Stock Ass'y., Tgt. Ckrd. Walnut Sq.
		Includes:			Includes:
27	031550000	Hammer (1)	—	032120000	Stock, left (1) N.I.
28	051330000	Hammer Nose	58	032130000	Stock, right (1)
29	050340000	Hammer Nose Rivet	59	072630000	Stock Screw
30	051130000	Scar	60	050620000	Stock Pin
31	070190000	Scar Pin	61	050640000	Strain Screw
32	070200000	Scar Spring	62	055850000	Thumbpiece
33	070210000	Stirrup	63	050710000	Thumbpiece Nut
34	070190000	Stirrup Pin	63-69	043560000	Trigger Ass'y., 265SR
27-34	043760000	Hammer Ass'y., Tgt. .500"			Includes:
		Includes:	64	070190000	Hand Spring Pin
27	052120000	Hammer, Tgt. (1)	65	070190000	Hand Spring Torsion Pin
35	050840000	Hammer Block	66	051180000	Hand Torsion Spring
36	077680000	Hand	67	031140000	Trigger (1)
37	070110000	Hand Pin	68	070270000	Trigger Lever
38	050280000	Locking Bolt, 2" Barrel	60	070190000	Trigger Lever Pin
38	050430000	Locking Bolt, Over 2" Barrel	63-69	046780000	Trigger Ass'y., Tgt. Serrated .400"
39	050240000	Locking Bolt Pin, 2" Barrel			Includes:
39	050440000	Locking Bolt Pin, Over 2" Barrel	67	031160000	Trigger, Target (1)
40	050450000	Locking Bolt Spring	70	074430000	Trigger Stop
41	050470000	Mainspring	71	030920000	Trigger Stop Screw
42	050490000	Plate Screw, Crowned			
43	030910000	Plate Screw, Flat Head			
44-53	040810000	Rear Sight Ass'y.			
		Includes:			
44	051020000	Rear Sight Elevation Nut			
45	071800000	Rear Sight Elevation Stud			

* Requires factory installation.
Note (1): Sold as an assembly only.
N.I. = Not illustrated.

SPECIFY MODEL NUMBER, FINISH, PART NUMBER AND PART NAME WHEN ORDERING PARTS.