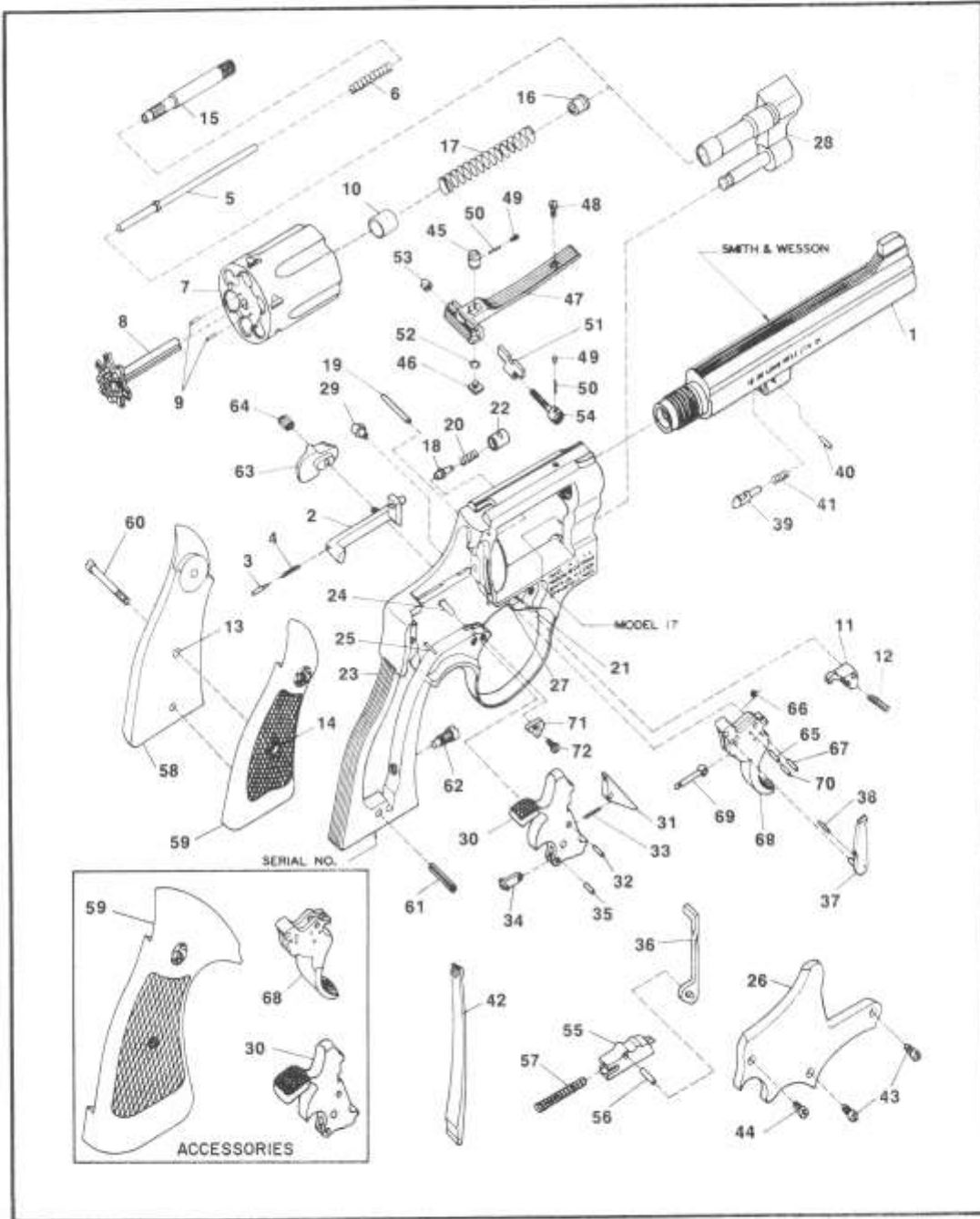


# MODEL NO. 17-4 K-22 MASTERPIECE K FRAME .22 CALIBER REVOLVER



EXPLODED VIEW DIAGRAM.

MODEL 17

**MODEL NO. 17-4**  
**K FRAME .22 CALIBER REVOLVER**  
**PARTS PRICE SCHEDULE**

View #	Part Number	Part Description	View #	Part Number	Part Description
1	044970000	Barrel, 4.125" .....	45-54	040820000	Rear Sight Assembly, Blue .....
1	052070000	Barrel, 6" .....			Includes:
1	051760000	Barrel, 8 3/4" .....	45	051020000	Rear Sight Elevation Nut .....
2	045770000	Bolt .....	46	071800000	Rear Sight Elevation Stud .....
3	070980000	Bolt Plunger .....	47	057860000	Rear Sight Leaf .....
4	070200000	Bolt Plunger Spring .....	48	030920000	Rear Sight Leaf Screw .....
5	047380000	Center Pin .....	49	071580000	Rear Sight Plunger .....
6	054580000	Center Pin Spring .....	50	071590000	Rear Sight Plunger Spring .....
7-10	045340000	Cylinder Assembly .....	51	040720000	Rear Sight Slide, Blue .....
		Includes:	52	051050000	Rear Sight Spring Clip .....
7	045340000	Cylinder (1) .....	53	051070000	Rear Sight Windage Nut .....
8	054370000	* Extractor .....	54	071880000	Rear Sight Windage Screw .....
9	050140000	Extractor Pin .....	45-54	040910000	Rear Sight Assembly, White Outline .....
10	045550000	Gas Ring .....			Includes:
11	053570000	Cylinder Stop .....	51	059000000	Rear Sight Slide, White Outline .....
12	070550000	Cylinder Stop Spring .....	55-56	043900000	Rebound Slide Assembly .....
13	040670000	Escutcheon .....			Includes:
14	040680000	Escutcheon Nut .....	55	041650000	Rebound Slide (1) .....
15	054550000	Extractor Rod .....	56	050830000	Rebound Slide Pin .....
16	076850000	Extractor Rod Collar .....	57	050740000	Rebound Slide Spring .....
17	075460000	Extractor Spring .....	58-60	161070000	Stock Ass'y., Ckrd. Walnut .....
18	052980000	Firing Pin .....			Includes:
19	051640000	Firing Pin Bushing Pin .....	58	032450000	Stock, Left (1) .....
20	051650000	Firing Pin Spring .....	59	032460000	Stock, Right (1) .....
21-28	045480000	* Frames Ass'y. .....	60	071910000	Stock Screw .....
		Includes:	58-60	164200000	Stock Ass'y., Tgt. Ckrd. Walnut .....
21	031540000	Cylinder Stop Stud .....			Includes:
22	051640000	Firing Pin Bushing .....	-	032120000	Stock, Left (1) N.I. .....
23	045480000	* Frame (1) .....	59	032130000	Stock, Right (1) .....
24	031550000	Hammer Stud .....	60	072630000	Stock Screw .....
25	050790100	Rebound Slide Stud .....	61	050620000	Stock Pin .....
26	033850000	* Sideplate .....	62	050640000	Strain Screw .....
27	050780200	Trigger Stud .....	63	055850000	Thumbpiece .....
28	044670000	* Yoke .....	64	050710000	Thumbpiece Nut .....
29	031000000	Frame Lug .....	65-70	043560000	Trigger Ass'y., .265" Serrated .....
30-35	043720000	Hammer Ass'y., .375" .....			Includes:
		Includes:	65	070190000	Hand Spring Pin .....
30	050900000	Hammer (1) .....	66	051180000	Hand Torsion Spring .....
31	051130000	Sear .....	67	070190000	Hand Torsion Spring Pin .....
32	070190000	Sear Pin .....	68	031140000	Trigger (1) .....
33	070200000	Sear Spring .....	69	070270000	Trigger Lever .....
34	070210000	Stirrup .....	70	070190000	Trigger Lever Pin .....
35	070190000	Stirrup Pin .....	-	045960000	Trigger Assembly (SM312) .....
30-35	043740000	Hammer Assembly, Target, .500" .....	-	031170000	Trigger .....
		Includes:	65-70	046780000	Trigger Assembly, Tgt., 400" Serrated .....
30	052110000	Hammer Target, .500" .....			Includes:
36	050840000	Hammer Block .....	68	031160000	Trigger (1) .....
37	077680000	Hand .....	71	074430000	Trigger Stop .....
38	070110000	Hand Pin .....	72	030920000	Trigger Stop Screw .....
39	050430000	Locking Bolt .....			
40	050240000	Locking Bolt Pin .....			
41	050450000	Locking Bolt Spring .....			
42	050470000	Mainspring .....			
43	050490000	Yoke Screw, Crowned .....			
44	030910000	Plate Screw, Flat Head .....			

\* Required factory installation.  
Note (1): Sold as an assembly only.  
N.I. = Not illustrated.

**SPECIFY MODEL NUMBER, FINISH, PART NUMBER AND PART NAME WHEN ORDERING PARTS.**