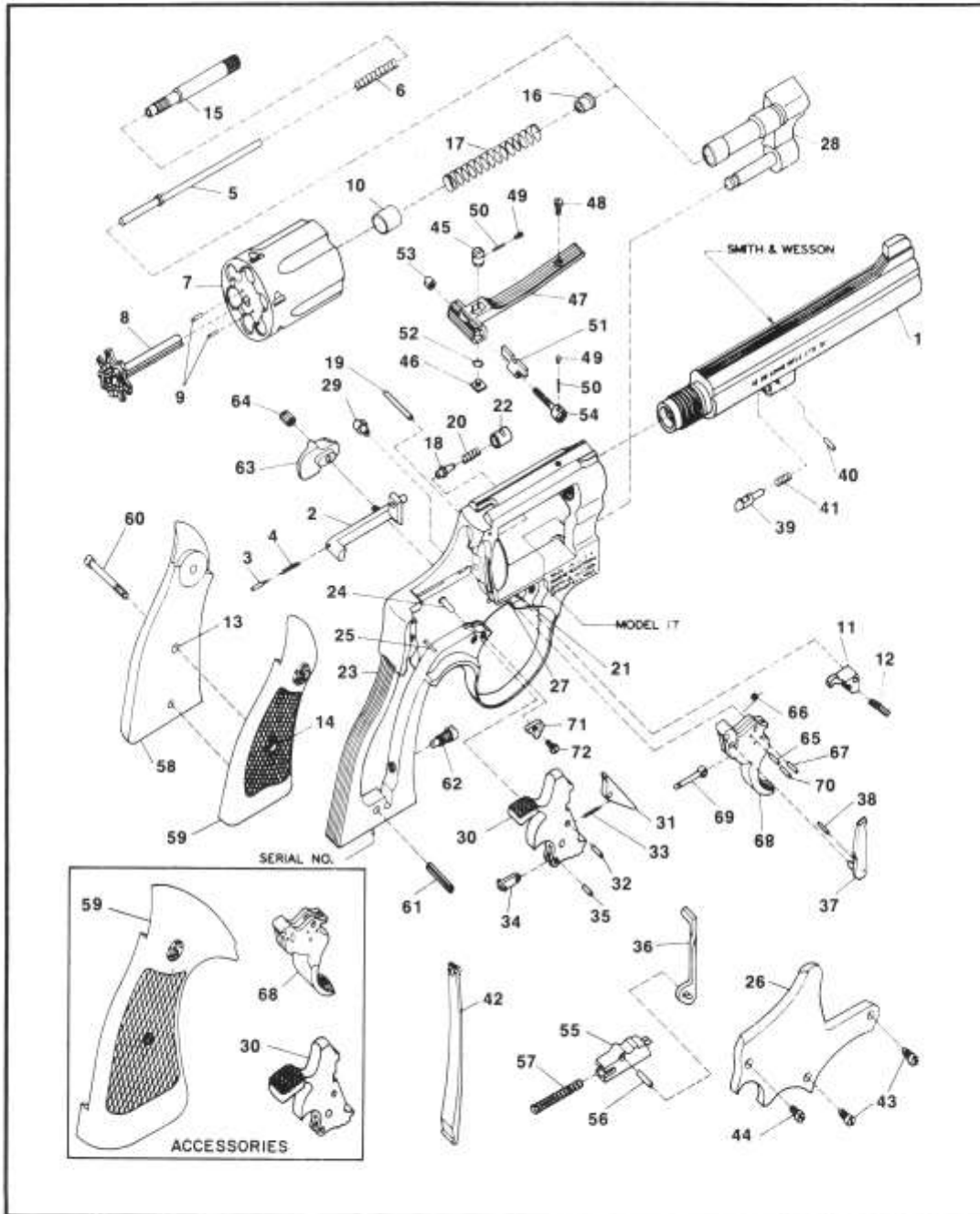


MODEL NO. 17-5 K-22 MASTERPIECE K FRAME .22 CALIBER REVOLVER



EXPLODED VIEW DIAGRAM.

MODEL 17

Exploded parts drawing and parts list for Smith & Wesson firearms.

**MODEL NO. 17-5
K FRAME 22 CALIBER REVOLVER
PARTS PRICE SCHEDULE**

View #	Part Number	Part Description	View #	Part Number	Part Description
1	048050000	Barrel, 4.125"	45-54	057870000	Rear Sight Assembly, Blue
1	048060000	Barrel, 6"			Includes:
1	048070000	Barrel, 8.375"	45	051020000	Rear Sight Elevation Nut
2	045770000	Bolt	46	071800000	Rear Sight Elevation Stud
3	070980000	Bolt Plunger	47	057860000	Rear Sight Leaf
4	070200000	Bolt Plunger Spring	48	030920000	Rear Sight Leaf Screw
5	047380000	Center Pin	49	071580000	Rear Sight Plunger
6	054580000	Center Pin Spring	50	071590000	Rear Sight Plunger Spring
7-10	045340000	Cylinder Assembly	51	051090000	Rear Sight Slide, Blue
		Includes:	52	051050000	Rear Sight Spring Clip
7	045340000	Cylinder (1)	53	051070000	Rear Sight Windage Nut
8	054370000	* Extractor	54	071880000	Rear Sight Windage Screw
9	050140000	Extractor Pin	45-54	040910000	Rear Sight Assembly, White Outline ..
10	045550000	Gas Ring			Includes:
11	053570000	Cylinder Stop	51	059000000	Rear Sight Slide, White Outline
12	070550000	Cylinder Stop Spring	55-56	041650000	Rebound Slide Assembly
13	040670000	Escutcheon			Includes:
14	040680000	Escutcheon Nut	55	041650000	Rebound Slide (1)
15	054550000	Extractor Rod	56	050830000	Rebound Slide Pin
16	076850000	Extractor Rod Collar	57	050740000	Rebound Slide Spring
17	075460000	Extractor Spring	58-60	161070000	Stock Ass'y., Ckrd. Walnut
18	052980000	Firing Pin			Includes:
19	051640000	Firing Pin Bushing Pin	58	032450000	Stock, Left (1)
20	051650000	Firing Pin Spring	59	032460000	Stock, Right (1)
21-28	048080000	*Frames Ass'y.	60	071910000	Stock Screw
		Includes:	58-60	164200000	Stock Ass'y., Tgt. Ckrd. Walnut
21	031540000	Cylinder Stop Stud			Includes:
22	051590000	Firing Pin Bushing	-	032120000	Stock, Left (1) N.I.
23	045480000	* Frame (1)	59	032130000	Stock, Right (1)
24	031550000	Hammer Stud	60	072630000	Stock Screw
25	031540000	Rebound Slide Stud	61	050620000	Stock Pin
26	033850000	* Sideplate	62	050640000	Strain Screw
27	050780200	Trigger Stud	63	055850000	Thumbpiece
28	044670000	* Yoke	64	050710000	Thumbpiece Nut
29	031000000	Frame Lug	65-70	043560000	Trigger Ass'y., .265" Serrated
30-35	043720000	Hammer Ass'y., .375"			Includes:
		Includes:	65	070190000	Hand Spring Pin
30	050900000	Hammer (1)	66	051180000	Hand Torsion Spring
31	051130000	Sear	67	070190000	Hand Torsion Spring Pin
32	070190000	Sear Pin	68	031140000	Trigger (1)
33	070200000	Sear Spring	69	070270000	Trigger Lever
34	070210000	Stirrup	70	070190000	Trigger Lever Pin
35	070190000	Stirrup Pin	65-70	046780000	Trigger Assembly, Tgt., .400" Serrated
30-35	043740000	Hammer Assembly, Target, .500"			Includes:
		Includes:	68	031160000	Trigger (1)
30	052110000	Hammer Target, .500"	71	074430000	Trigger Stop
36	050840000	Hammer Block	72	030920000	Trigger Stop Screw
37	077680000	Hand			
38	070110000	Hand Pin			
39	050430000	Locking Bolt			
40	050440000	Locking Bolt Pin			
41	050450000	Locking Bolt Spring			
42	050470000	Mainspring			
43	050490000	Yoke Screw, Crowned			
44	030910000	Plate Screw, Flat Head			

* Requires factory installation.
Note (1): Sold as an assembly only.
N.I. = Not illustrated.

SPECIFY MODEL NUMBER, FINISH, PART NUMBER AND PART NAME WHEN ORDERING PARTS.