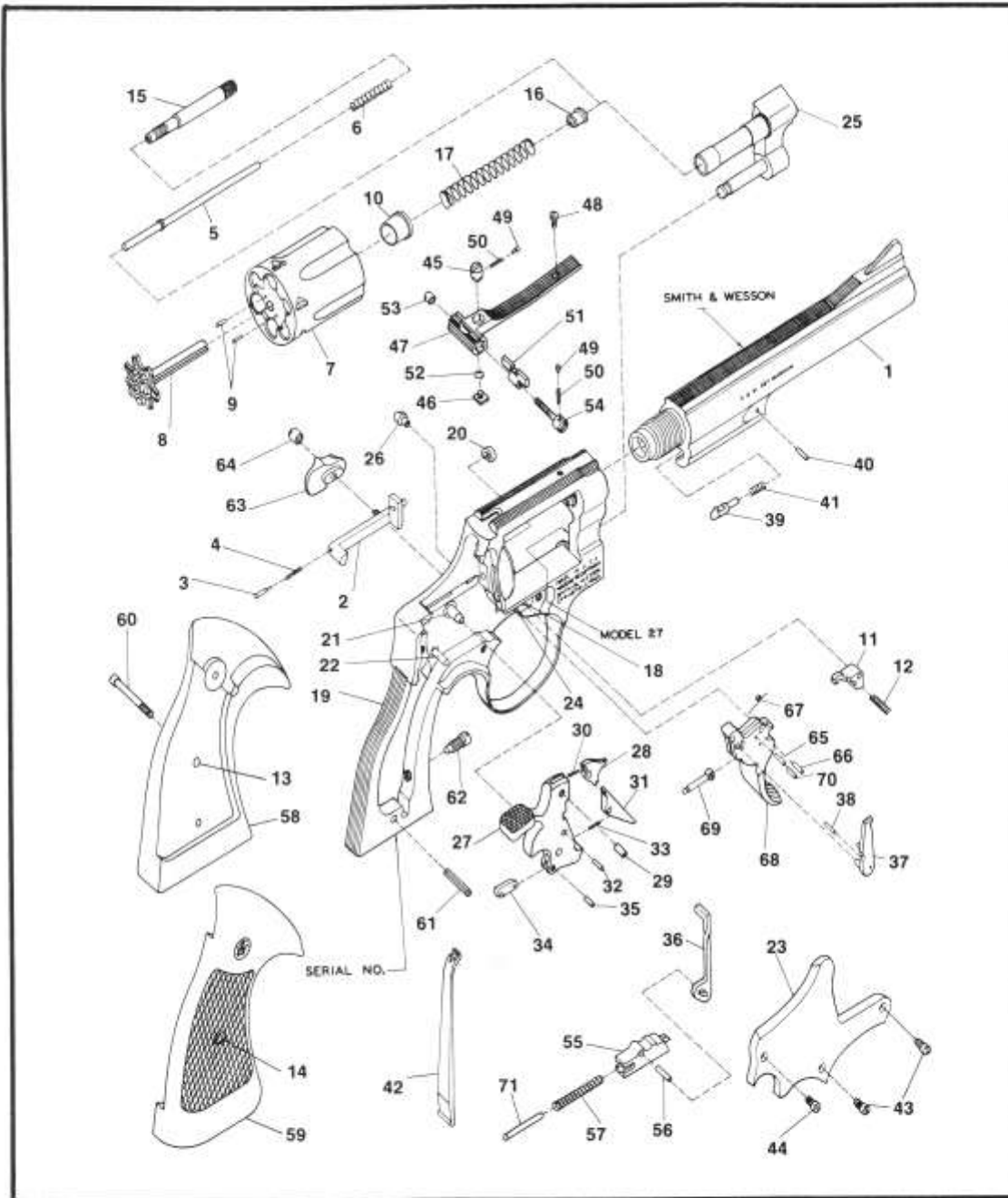


MODEL NO. 27-3 .357 MAGNUM REVOLVER N FRAME .357 CALIBER REVOLVER



EXPLODED VIEW DIAGRAM.

MODEL 27

MODEL NO. 27-3
N FRAME .357 CALIBER REVOLVER
PARTS PRICE SCHEDULE

View #	Part Number	Part Description	View #	Part Number	Part Description
1	045300000	*Barrel, 4 $\frac{1}{2}$ "	45-54	040710000	Rear Sight Ass'y., 3 $\frac{1}{2}$ ", 5", 4 $\frac{1}{8}$ ", Blue
1	051310000	*Barrel, 5"			Includes:
1	045920000	*Barrel, 6"	45	051020000	Rear Sight Elevation Nut
1	051270000	*Barrel, 8 $\frac{1}{2}$ "	46	071800000	Rear Sight Elevation Stud
	058100000	Barrel Pin N.I.	47	054970000	Rear Sight Leaf
2	046990000	Bolt	48	030920000	Rear Sight Leaf Screw
3	075340000	Bolt Plunger	49	071580000	Rear Sight Plunger
4	070200000	Bolt Plunger Spring	50	071590000	Rear Sight Plunger Spring
5	049920000	Center Pin	51	040710000	Rear Sight Slide, 3 $\frac{1}{2}$ ", 5", 4 $\frac{1}{8}$ ", Blue
6	074640000	Center Pin Spring	52	051050000	Rear Sight Spring Clip
7-10	033300000	*Cylinder Assembly	53	051070000	Rear Sight Windage Nut
		Includes:	54	071880000	Rear Sight Windage Screw
7	—	* Cylinder (1)	45-54	040930000	Rear Sight Ass'y., 5", 4 $\frac{1}{8}$ ", White
8	047510000	* Extractor (1)			Outline
9	050140000	Extractor Pin			Includes:
10	045990000	Gas Ring	51	040760000	Rear Sight Slide, 3 $\frac{1}{2}$ ", 5", 4 $\frac{1}{8}$ ", White
11	053570000	Cylinder Stop			Outline
12	070550000	Cylinder Stop Spring	45-54	040840000	Rear Sight Assembly, 6", Blue
13	040670000	Escutcheon			Includes:
14	040680000	Escutcheon Nut	51	051090000	Rear Sight Slide, 6", Blue
15	054560000	Extractor Rod	45-54	040950000	Rear Sight Ass'y., 6" White Outline
16	076870000	Extractor Rod Collar			Includes:
17	075460000	Extractor Spring	51	059000000	Rear Sight Slide, 6", White Outline
18-25	034290000	*Frame Assembly	45-54	040850000	Rear Sight Assembly, 8 $\frac{1}{4}$ ", Blue
		Includes:			Includes:
18	031540000	Cylinder Stop Stud	51	040730000	Rear Sight Slide, 8 $\frac{1}{4}$ ", Blue
19	—	* Frame (1)	45-54	040970000	Rear Sight Ass'y., 8 $\frac{1}{4}$ ", White Outline
20	050360000	Hammer Nose Bushing			Includes:
21	031550000	Hammer Stud	51	040780000	Rear Sight Slide, 8 $\frac{1}{4}$ ", White Outline
22	031540000	Rebound Slide Stud	55-56	041650000	Rebound Slide Assembly
23	054300000	* Sideplate			Includes:
24	050780200	Trigger Stud	55	041650000	Rebound Slide (1)
25	055000000	* Yoke	56	050830000	Rebound Slide Pin
26	031030000	Frame Lug	57	050740000	Rebound Slide Spring
27-35	043870000	Hammer Assembly	58-60	161000000	Stock Assembly, Ckrd. Walnut,
		Includes:			Square Butt
27	—	Hammer (1)			Includes:
28	054180000	Hammer Nose	58	032530000	Stock, Left (1)
29	050340000	Hammer Nose Rivet	59	032540000	Stock, Right (1)
30	057500000	Hammer Nose Spring	60	071910000	Stock Screw
31	051130000	Sear	61	050620000	Stock Pin
32	070190000	Sear Pin	62	050640000	Strain Screw
33	070200000	Sear Spring	63	055850000	Thumbpiece
34	070210000	Stirrup	64	050710000	Thumbpiece Nut
35	070190000	Stirrup Pin	65-70	046780000	Trigger Assembly
36	054230000	Hammer Block			Includes:
37	074930000	Hand	65	070190000	Hand Spring Pin
38	070110000	Hand Pin	66	070190000	Hand Spring Torsion Pin
39	054290000	Locking Bolt	67	051180000	Hand Torsion Spring
40	054310000	Locking Bolt Pin	68	—	Trigger (1)
41	050450000	Locking Bolt Spring	69	070270000	Trigger Lever
42	050470000	Mainspring	70	070190000	Trigger Lever Pin
43	050490000	Plate Screw, Crowned	71	053060000	Trigger Stop Rod
44	030910000	Plate Screw, Flat Head			

* Requires factory installation.

Note (1): Sold as an assembly only.

N.I. = Not illustrated.

SPECIFY MODEL NUMBER, FINISH, PART NUMBER AND PART NAME WHEN ORDERING PARTS.