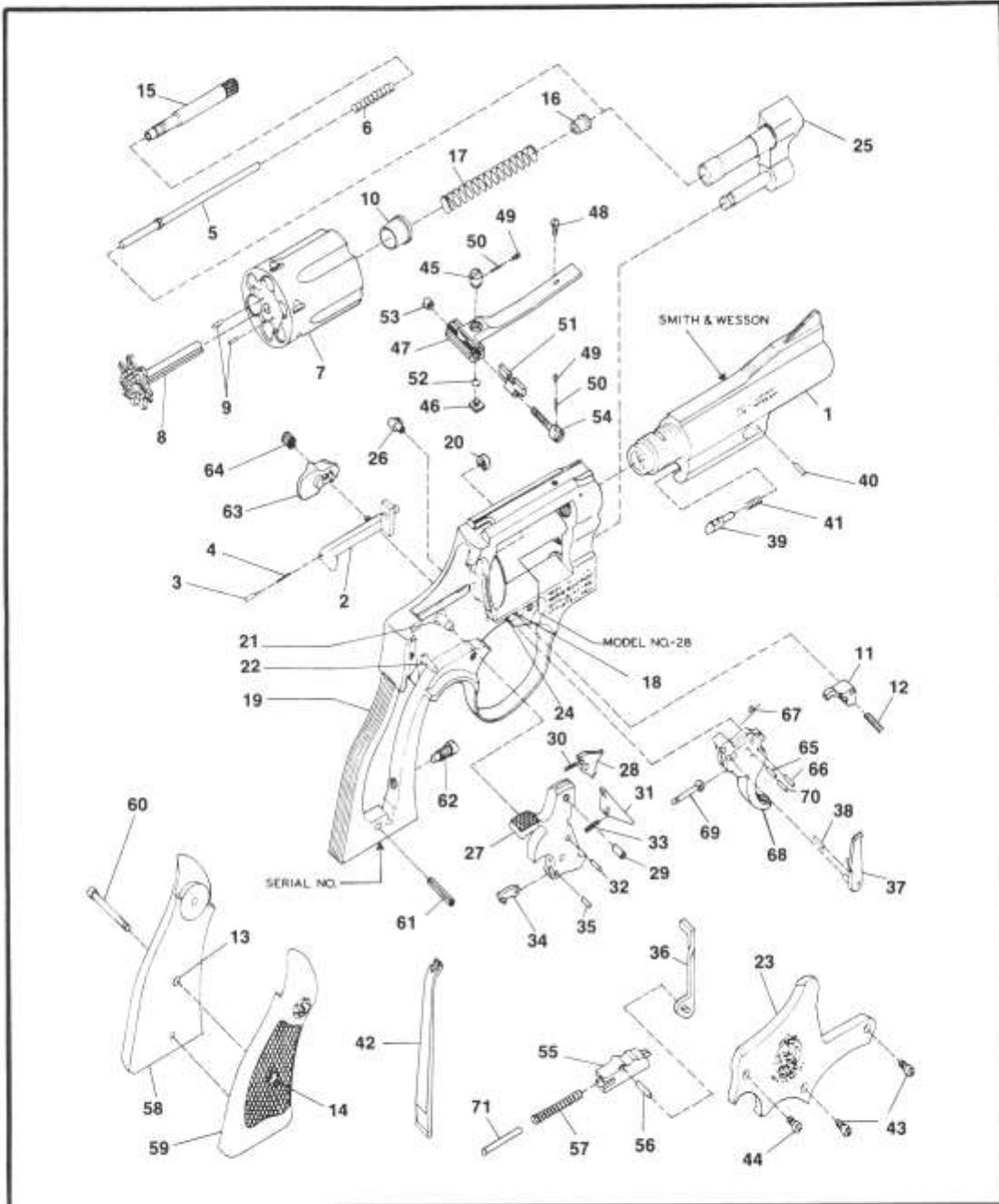


# MODEL NO. 28-3

## .357 HIGHWAY PATROLMAN REVOLVER

### N FRAME .357 CALIBER REVOLVER



EXPLODED VIEW DIAGRAM.

MODEL 28

**MODEL NO. 28-3**  
**N FRAME .357 CALIBER REVOLVER**  
**PARTS PRICE SCHEDULE**

<i>View #</i>	<i>Part Number</i>	<i>Part Description</i>	<i>View #</i>	<i>Part Number</i>	<i>Part Description</i>
1	045000000	*Barrel, 4½"	45-54	041420000	Rear Sight Assembly, Blue
1	058060000	*Barrel, 6"			Includes:
2	046990000	Bolt	45	051020000	Rear Sight Elevation Nut
3	075340000	Bolt Plunger	46	071800000	Rear Sight Elevation Stud
4	070200000	Bolt Plunger Spring	47	050870000	Rear Sight Leaf
5	049920000	Center Pin	48	030920000	Rear Sight Leaf Screw
6	074640000	Center Pin Spring	49	071580000	Rear Sight Plunger
7-10	047530000	*Cylinder Assembly	50	071590000	Rear Sight Plunger Spring
		Includes:	51	040720000	Rear Sight Slide, Blue
7	—	* Cylinder (1)	52	051050000	Rear Sight Spring Clip
8	047510000	* Extractor (1)	53	051070000	Rear Sight Windage Nut
9	050140000	Extractor Pin	54	071880000	Rear Sight Windage Screw
10	045990000	Gas Ring	45-54	—	Rear Sight Ass'y., White Outline
11	053570000	Cylinder Stop			Includes:
12	070550000	Cylinder Stop Spring	51	040770000	Rear Sight Slide, White Outline
13	040670000	Escutcheon	55-56	041650000	Rebound Slide Assembly
14	040680000	Escutcheon Nut			Includes:
15	054560000	Extractor Rod	55	041650000	Rebound Slide (1)
16	076850000	Extractor Rod Collar	56	050830000	Rebound Slide Pin
17	075460000	Extractor Spring	57	050740000	Rebound Slide Spring
18-25	047540000	*Frame Assembly	58-60	161000000	Stock Assembly, Ckrd. Walnut, Square Butt
		Includes:			Includes:
18	031540000	Cylinder Stop Stud	58	032530000	Stock, Left (1)
19	—	* Frame	59	032540000	Stock, Right (1)
20	050360000	Hammer Nose Bushing	60	071910000	Stock Screw
21	031550000	Hammer Stud	61	050620000	Stock Pin
22	031540000	Rebound Slide Stud	62	050640000	Strain Screw
23	054300000	* Sideplate	63	055850000	Thumbpiece
24	050780200	Trigger Stud	64	050710000	Thumbpiece Nut
25	055000000	* Yoke	65-70	045960000	Trigger Assembly, 4½", .312" Smooth
26	031030000	Frame Lug			Includes:
27-35	043860000	Hammer Assembly	65	070190000	Hand Spring Pin
		Includes:	66	070190000	Hand Spring Torsion Pin
27	054190000	Hammer (1)	67	051180000	Hand Torsion Spring
28	054180000	Hammer Nose	68	031170000	Trigger (1)
29	050340000	Hammer Nose Rivet	69	070270000	Trigger Lever
30	057500000	Hammer Nose Spring	70	070190000	Trigger Lever Pin
31	051130000	Sear	65-70	043560000	Trigger Assembly, 6"
32	070190000	Sear Pin			Includes:
33	070200000	Sear Spring	68	—	Trigger (1)
34	070210000	Stirrup	71	053060000	Trigger Stop Rod
35	070190000	Stirrup Pin			
36	054230000	Hammer Block			
37	074930000	Hammer			
38	070110000	Hammer Pin			
39	054290000	Locking Bolt			
40	054310000	Locking Bolt Pin			
41	050450000	Locking Bolt Spring			
42	050470000	Mainspring			
43	050490000	Plate Screw, Crowned			
44	030910000	Plate Screw, Flat Head			

\* Requires factory installation.  
Note (1); Sold as an assembly only.  
N.I. = Not illustrated.

**SPECIFY MODEL NUMBER, FINISH, PART NUMBER AND PART NAME WHEN ORDERING PARTS.**