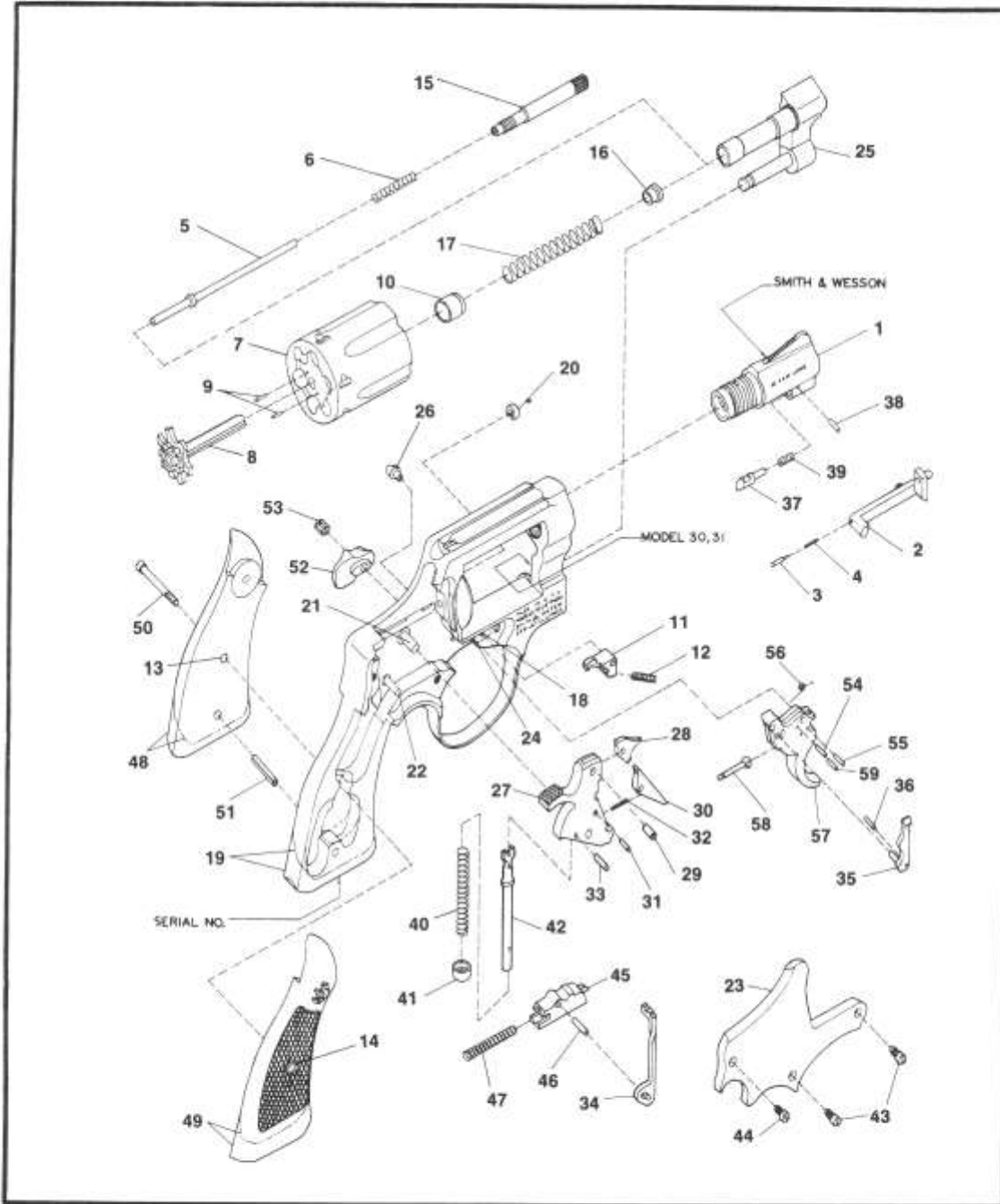


MODEL NO. 30
.32 HAND EJECTOR REVOLVER
MODEL NO. 31-1
.32 REGULATION POLICE REVOLVER
J FRAME .32 CALIBER REVOLVER



EXPLODED VIEW DIAGRAM.

MODEL 30 MODEL 31

MODEL NO. 30 MODEL NO. 31-1
J FRAME .32 CALIBER REVOLVER
PARTS PRICE SCHEDULE

<i>View #</i>	<i>Part Number</i>	<i>Part Description</i>	<i>View #</i>	<i>Part Number</i>	<i>Part Description</i>
1	056760000	Barrel, 2"	38	050430000	Locking Bolt, over 2" Barrel
1	056780000	Barrel, 3"	38	050440000	Locking Bolt Pin
1	044910000	Barrel, 4 1/4"	39	050450000	Locking Bolt Spring
—	052030000	Barrel Pin, N.I.	40	057490000	Mainspring
2	047390000	Bolt	41	052160000	Mainspring Rod Swivel
3	070980000	Bolt Plunger	42	054860000	Mainspring Stirrup
4	070200000	Bolt Plunger Spring	43	053110000	Plate Screw, Crowned
5	049840000	Center Pin, 2" barrel	44	030910000	Plate Screw, Flat Head
5	049850000	Center Pin over 2" barrel	45-46	056160000	Rebound Slide Assembly
6	052260000	Center Pin Spring			Includes:
7-10	056630000	Cylinder Assembly	45	056160000	Rebound Slide (1)
		Includes:	46	053150000	Rebound Slide Pin
7	056630000	Cylinder (1)	47	050740000	Rebound Slide Spring
8	052370000	* Extractor	48-50	161060000	Stock Ass'y., Sq. Butt, Ckr'd. Walnut
9	050140000	Extractor Pin			Includes:
10	052450000	Gas Ring	48	032410000	Stock, left (1)
11	033140000	Cylinder Stop	49	032420000	Stock, right (1)
12	041300000	Cylinder Stop Spring	50	072550000	Stock Screw
13	040670000	Escutcheon	48-50	161050000	Stock Ass'y., Rd. Butt, Ckr'd. Walnut
14	040680000	Escutcheon Nut			Includes:
15	052530000	Extractor Rod, 2" barrel	48	032390000	Stock, left (1)
15	057900000	Extractor Rod over 2" barrel	49	032400000	Stock, right (1)
16	057890000	Extractor Rod Collar	50	072550000	Stock Screw
17	075810000	Extractor Spring	51	050620000	Stock Pin
18-25	056710000	*Frame Ass'y., Round Butt (M30)	52	056140000	Thumbpiece
18-25	034850000	*Frame Ass'y., Square Butt (M31)	53	050710000	Thumbpiece Nut
		Includes:	54-59	049340000	Trigger Ass'y.
18	052780000	Cylinder Stop Stud			Includes:
19	—	* Frame (1)	54	070820000	Hand Spring Pin
20	050360000	Hammer Nose Bushing	55	070810000	Hand Spring Torsion Pin
21	052770000	Hammer Stud	56	053020000	Hand Torsion Spring
22	052780000	Rebound Slide Stud	57	031180000	Trigger (1)
23	053190000	* Sideplate	58	070970000	Trigger Lever
24	052780000	Trigger Stud	59	070810000	Trigger Lever Pin
25	058030000	* Yoke			
26	030960100	Frame Lug			
27-33	043590000	Hammer Ass'y.			
		Includes:			
27	031100000	Hammer (1)			
28	052910000	Hammer Nose			
29	052930000	Hammer Nose Rivet			
30	053170000	Sear			
31	070810000	Sear Pin			
32	070200000	Sear Spring			
33	054870000	Stirrup Pin			
34	052940000	Hammer Block			
35	052950000	Hand			
36	070790000	Hand Pin			
37	051470000	Locking Bolt, 2" Barrel			

* Requires factory installation.
Note (1): Sold as an assembly only.
N.I. = Not illustrated.

SPECIFY MODEL NUMBER, FINISH, PART NUMBER AND PART NAME WHEN ORDERING PARTS.