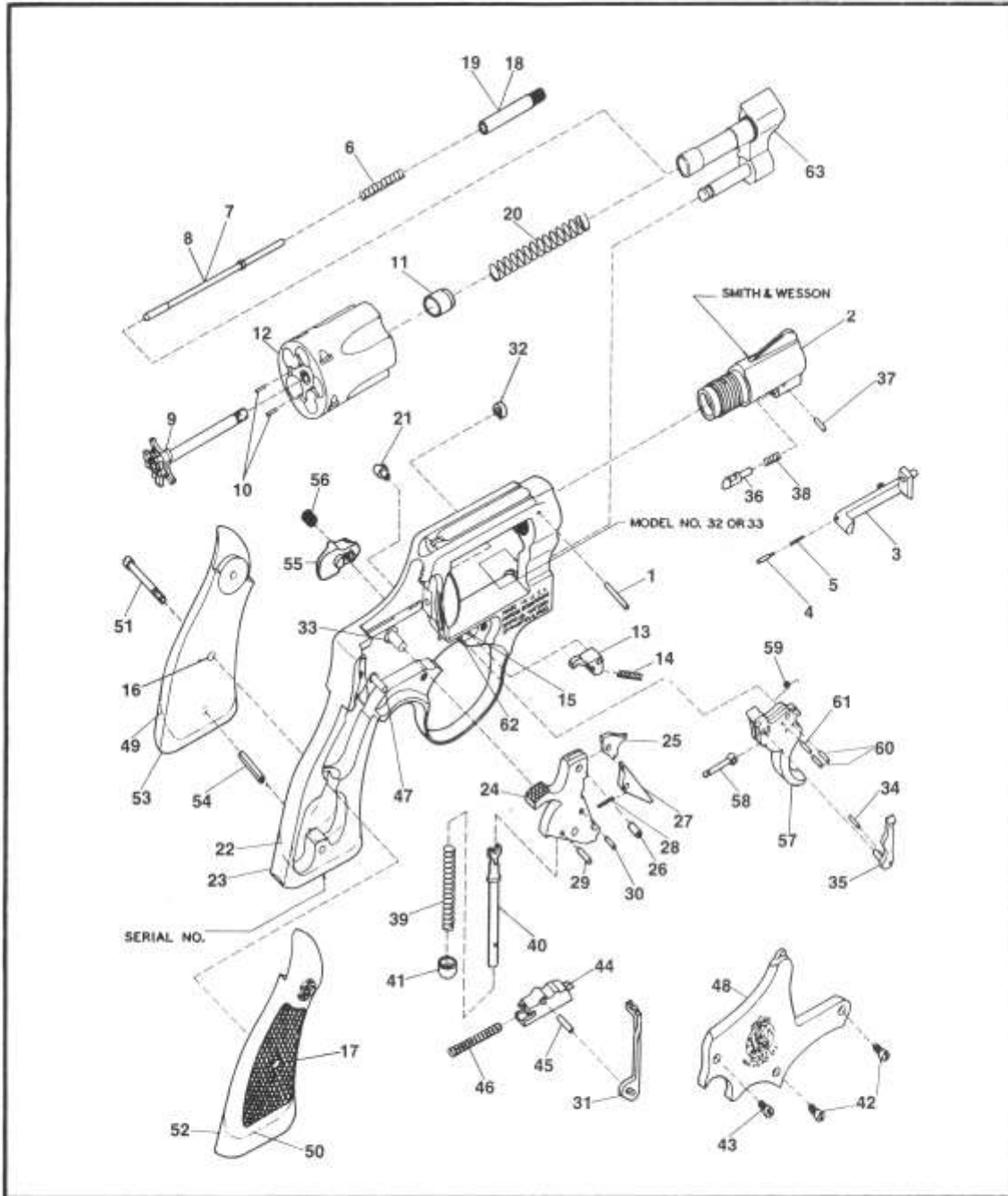


MODEL NO. 32
.38 TERRIER REVOLVER
MODEL NO. 33
.38 REGULATION POLICE REVOLVER
J FRAME .38 CALIBER REVOLVER



EXPLODED VIEW DIAGRAM.

MODEL 32 MODEL 33

Exploded parts drawing and parts list for Smith & Wesson firearms.

**MODEL NO. 32 MODEL NO. 33
J FRAME .38 CALIBER REVOLVER
PARTS PRICE SCHEDULE**

View #	Part Number	Part Description	View #	Part Number	Part Description
1	052030000	Barrel Pin	44-45	056160000	Rebound Slide Assembly
2	056760000	Barrel, 2"			Includes:
2	056810000	Barrel, 4"	44	056160000	Rebound Slide (1)
3	077390000	Bolt	45	053150000	Rebound Slide Pin
4	070980000	Bolt Plunger	46	050740000	Rebound Slide Spring
5	070200000	Bolt Plunger Spring	47	052780000	Rebound Slide Stud
6	070630000	Center Pin Spring	48	053190000	*Side Plate
7	049860000	Center Pin 2"	49-51	161050000	Stock Assembly, Service, Round
8	049870000	Center Pin 4"			Butt
9-12	056670000	Cylinder Assembly			Includes:
9	052380000	*Extractor Assembly	49	032390000	Stock, Round Butt, Left (1) ...
10	050140000	Extractor Pin	50	032400000	Stock, Round Butt, Right (1) ...
11	052460000	Gas Ring	51	072550000	Stock Screw
12	056670000	Cylinder (1)	51-53	161060000	Stock Assembly, Square Butt,
13	033140000	Cylinder Stop			Service
14	041300000	Cylinder Stop Spring			Includes:
15	052780000	Cylinder Stop Stud	53	032410000	Stock, Square Butt, Left (1) ...
16	040670000	Escutcheon	52	032420000	Stock, Square Butt, Right (1) ...
17	040680000	Escutcheon Nut	51	072550000	Stock Screw
18	056500000	Extractor Rod over 2" Barrel ...	54	050620000	Stock Pin
19	056650000	Extractor Rod 2" Barrel	55	056140100	Thumbpiece
20	075790000	Extractor Spring	56	050710000	Thumbpiece Nut
21	032880000	Frame Lug	57-61	049340000	Trigger Assembly
22	056720000	*Frame, Round			Includes:
23	056740000	*Frame, Square	57	031180000	Trigger (1)
24-30	043590000	Hammer Assembly	58	070970000	Trigger Lever
		Includes:	59	070800000	Hand Torsion Spring
24	054800000	Hammer (1)	60	070810000	Trigger Lever Pin
25	052910000	Hammer Nose	61	070820000	Hand Spring Torsion Pin ...
26	052930000	Hammer Nose Rivet	60	070810000	Hand Spring Pin
27	053170000	Sear	62	052780000	Trigger Stud
28	070200000	Sear Spring	63	056620000	*Yoke
29	054870000	Stirrup Pin			
30	070810000	Sear Pin			
31	052940000	Hammer Block			
32	050360000	Hammer Nose Bushing			
33	052770000	Hammer Stud			
34	070790000	Hand Pin			
35	055940000	Hand			
36	051470000	Locking Bolt			
37	050440000	Locking Bolt Pin			
38	050450000	Locking Bolt Spring			
39	057490000	Mainspring			
40	054860000	Mainspring Stirrup			
41	052160000	Mainspring Swivel			
42	053110000	Plate Screw, Crowned			
43	030910000	Plate Screw, Flat Head			

* Requires factory installation.
Note (1): Sold as an assembly only.

SPECIFY MODEL NUMBER, FINISH, PART NUMBER AND PART NAME WHEN ORDERING PARTS.