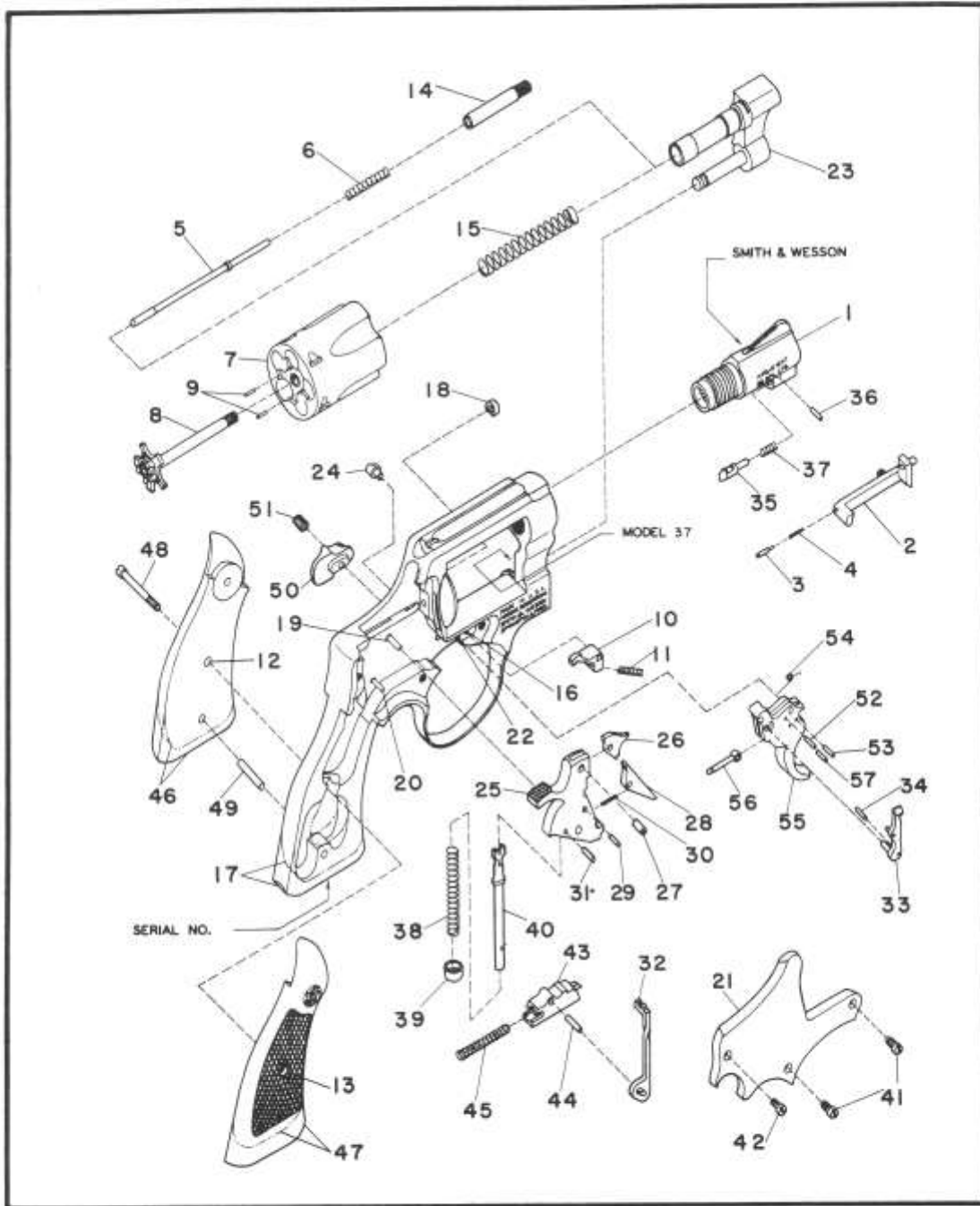


# MODEL NO. 37

## .38 CHIEFS SPECIAL AIRWEIGHT J FRAME .38 CALIBER REVOLVER



EXPLODED VIEW DIAGRAM.

MODEL 37

## MODEL NO. 37 J FRAME .38 CALIBER REVOLVER PARTS PRICE SCHEDULE

<i>View #</i>	<i>Part Number</i>	<i>part Description</i>	<i>View #</i>	<i>Part Number</i>	<i>Part Description</i>
1	031090000	Barrel, 2" .....	32	052940000	Hammer Block .....
1	057260000	Barrel, 3" .....	33	055940000	Hand .....
2	047390000	Bolt .....	34	070790000	Hand Pin .....
3	070980000	Bolt Plunger .....	35	051470000	Locking Bolt, 2" .....
4	070200000	Bolt Plunger Spring .....	35	050430000	Locking Bolt, 3" .....
5	049860000	Center Pin, 2" .....	36	050440000	Locking Bolt Pin .....
5	049870000	Center Pin, 3" .....	37	050450000	Locking Bolt Spring .....
6	070630000	Center Pin Spring .....	38	057490000	Mainspring .....
7-9	035040000	Cylinder Assembly	39	052160000	Mainspring Rod Swivel .....
		Includes:	40	054860000	Mainspring Stirrup .....
7	035040000	Cylinder (1) .....	41	053110000	Yoke Screw, Crowned .....
8	052390000	* Extractor .....	42	030910000	Plate Screw, Flat Head .....
9	050140000	Extractor Pin .....	43-44	056160000	Rebound Slide Assembly
10	033140000	Cylinder Stop .....			Includes:
11	041300000	Cylinder Stop Spring .....	43	056160000	Rebound Slide (1) .....
12	040670000	Escutcheon .....	44	053150000	Rebound Slide Pin .....
13	040680000	Escutcheon Nut .....	45	050740000	Rebound Slide Spring .....
14	052550000	Extractor Rod, 2" barrel .....	46-48	161050000	Stock Ass'y., Rd. Butt, Ckrd. Walnut
14	056500000	Extractor Rod, 3" barrel .....			Includes:
15	075790000	Extractor Spring .....	46	032390000	Stock, left (1) .....
16-23	047820000	*Frame Ass'y., Round Butt .....	47	032400000	Stock, right (1) .....
16-23	034790000	*Frame Ass'y., Square Butt .....	48	072550000	Stock Screw .....
		Includes:	46-48	161060000	Stock Ass'y., Sq. Butt, Ckrd. Walnut
16	055530000	Cylinder Stop Stud .....			Includes:
17	—	*Frame (1) .....	46	032410000	Stock, left (1) .....
18	050360000	Hammer Nose Bushing .....	47	032420000	Stock, right (1) .....
19	055810000	Hammer Stud .....	48	072550000	Stock Screw .....
20	055770000	Rebound Slide Stud .....	49	057290000	Stock Pin .....
21	055820000	* Sideplate .....	50	056140100	Thumbpiece .....
22	055530000	Trigger Stud .....	51	050710000	Thumbpiece Nut .....
23	053180000	*Yoke .....	52-57	049340000	Trigger Ass'y.,
24	055800000	Frame Lug .....			Includes:
25-31	043590000	Hammer Ass'y.	52	070820000	Hand Spring Pin .....
		Includes:	53	070810000	Hand Spring Torsion Pin .....
25	031100000	Hammer (1) .....	54	053020000	Hand Torsion Spring .....
26	052910000	Hammer Nose .....	55	031180000	Trigger (1) .....
27	052930000	Hammer Nose Rivet .....	56	070970000	Trigger Lever .....
28	053170000	Sear .....	57	070810000	Trigger Lever Pin .....
29	070810000	Sear Pin .....			
30	070200000	Sear Spring .....			
31	054870000	Stirrup Pin .....			

\* Requires factory installation.  
Note (1): Sold as an assembly only.  
N.I. = Not illustrated.

**SPECIFY MODEL NUMBER, FINISH, PART NUMBER AND PART NAME WHEN ORDERING PARTS.**