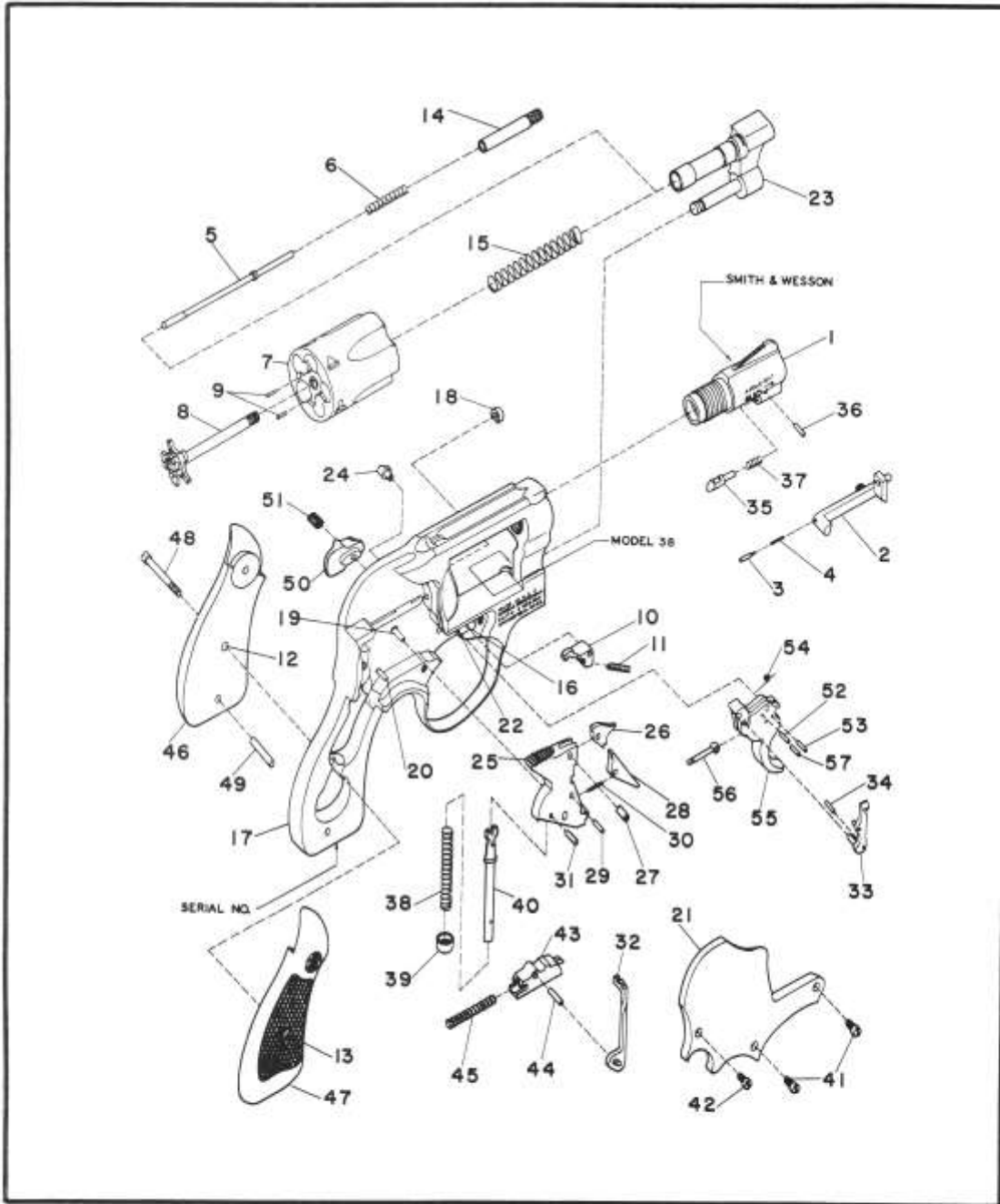


MODEL NO. 38

.38 BODYGUARD AIRWEIGHT

J FRAME .38 CALIBER REVOLVER



EXPLODED VIEW DIAGRAM.

MODEL 38

MODEL NO. 38 J FRAME .38 CALIBER REVOLVER PARTS PRICE SCHEDULE

<i>View #</i>	<i>Part Number</i>	<i>Part Description</i>	<i>View #</i>	<i>Part Number</i>	<i>Part Description</i>
1	031090000	Barrel, 2".....	32	052940000	Hammer Block.....
2	047390000	Bolt.....	33	055940000	Hand.....
3	070980000	Bolt Plunger.....	34	070790000	Hand Pin.....
4	070200000	Bolt Plunger Spring.....	35	051470000	Locking Bolt.....
5	049860000	Center Pin.....	36	050440000	Locking Bolt Pin.....
6	070630000	Center Pin Spring.....	37	050450000	Locking Bolt Spring.....
7-9	035040000	Cylinder Assembly Includes:	38	057490000	Mainspring.....
7	035040000	Cylinder (1).....	39	052160000	Mainspring Rod Swivel.....
8	052390000	* Extractor.....	40	054860000	Mainspring Stirrup.....
9	050140000	Extractor Pin.....	41	053100000	Yoke Screw, Crowned.....
10	033140000	Cylinder Stop.....	42	030910000	Plate Screw, Flat Head.....
11	041300000	Cylinder Stop Spring.....	43-44	056160000	Rebound Slide Assembly.....
12	040670000	Escutcheon.....	43	056160000	Rebound Slide (1).....
13	040680000	Escutcheon Nut.....	44	053150000	Rebound Slide Pin.....
14	052550000	Extractor Rod.....	45	050740000	Rebound Slide Spring.....
15	075790000	Extractor Spring.....	46-48	161050000	Stock Assembly.....
16-23	034770000	*Frame Assembly Includes:	46	032390000	Stock, Left (1).....
16	055530000	Cylinder Stop Stud.....	47	032400000	Stock, Right (1).....
17	—	* Frame.....	48	072550000	Stock Screw.....
18	050360000	Hammer Nose Bushing.....	49	057290000	Stock Pin.....
19	055810000	Hammer Stud.....	50	056140100	Thumbpiece.....
20	055770000	Rebound Slide Stud.....	51	050710000	Thumbpiece Nut.....
21	058770000	* Side Plate.....	52-57	049340000	Trigger Assembly.....
22	055530000	Trigger Stud.....	52	070820000	Hand Spring Pin.....
23	053180000	* Yoke.....	53	070810000	Hand Spring Torsion Pin.....
24	055800200	Frame Lug.....	54	053020000	Hand Torsion Spring.....
25-31	043600000	Hammer Assembly Includes:	55	031180000	Trigger (1).....
25	054810000	Hammer (1).....	56	070970000	Trigger Lever.....
26	052910000	Hammer Nose.....	57	070810000	Trigger Lever Pin.....
27	052930000	Hammer Nose Rivet.....			
28	053170000	Sear.....			
29	070810000	Sear Pin.....			
30	070200000	Sear Spring.....			
31	054870000	Stirrup Pin.....			

* Requires factory installation.
Note (1): Sold as an assembly only.
N.I. = Not illustrated.

SPECIFY MODEL NUMBER, FINISH, PART NUMBER AND PART NAME WHEN ORDERING PARTS.