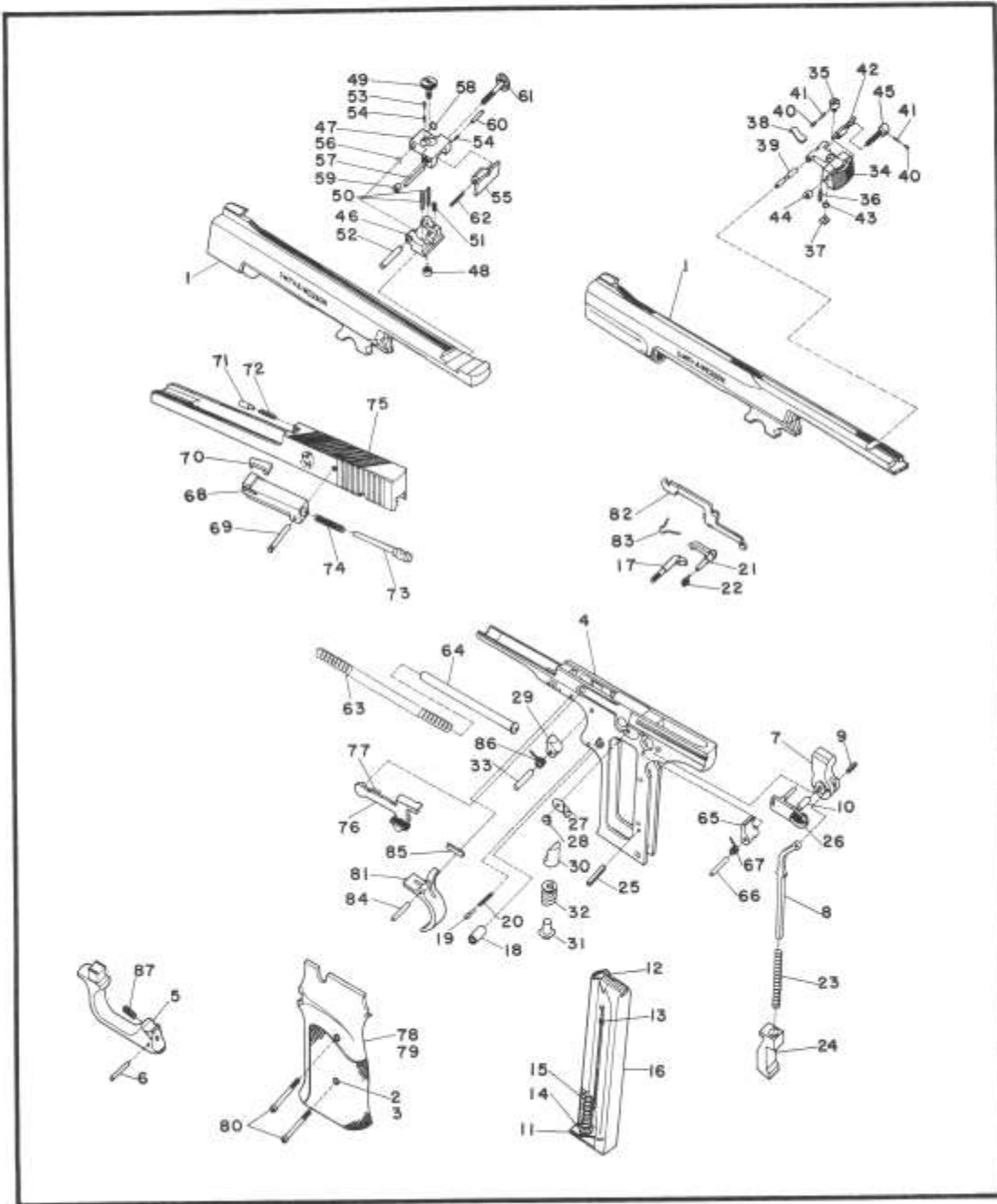


MODEL NO. 41 .22 AUTOLOADING PISTOL



EXPLODED VIEW DIAGRAM.

MODEL 41

Exploded parts drawing and parts list for Smith & Wesson firearms.

**MODEL NO. 41
.22 AUTOLOADING PISTOL
PARTS PRICE SCHEDULE**

View #	Part Number	Part Description	View #	Part Number	Part Description
1	101000000	Barrel, 5½" Heavy	46-62	061950000	Rear Sight Assembly, Heavy Barrel, 5½"
1	101010000	Barrel, 7"			Includes:
2	066580000	Escutcheon	46	061960000	Rear Sight Base
3	066590000	Escutcheon Nut	47	061970000	Rear Sight Body
4	066890000	*Frame	48	062000000	Rear Sight Elevation Nut
5	065210000	Guard	49	062010000	Rear Sight Elevation Screw
6	065220000	Guard Pin	50	062510000	Rear Sight Elevation Spring
7-9	103910000	Hammer Assembly	51	062280000	Rear Sight Lock Screw
		Includes:	52	061990000	Rear Sight Pivot Pin
7	066870000	Hammer (1)	53	071580000	Rear Sight Plunger
8	065740000	Stirrup	54	071590000	Rear Sight Plunger Spring
9	103900000	Stirrup Pin	55	061980000	Rear Sight Slide
10	066840000	Hammer Pin	56	062260000	Rear Sight Spring Clip
11-16	065270000	Magazine Assembly	57	063380000	Rear Sight Traverse Pin
		Includes:	58	062120000	Rear Sight Wavy Washer
11	065280000	Magazine Butt Plate	59	062050000	Rear Sight Windage Nut
12	064990000	Magazine Follower	60	063220000	Rear Sight Windage Plunger
13	065890000	Magazine Pin	61	062040000	Rear Sight Windage Screw
14	065390000	Magazine Plunger	62	062060000	Rear Sight Windage Spring
15	065380000	Magazine Spring	63	066820000	Recoil Spring
16	065400000	Magazine Tube	64	065640000	Recoil Spring Guide
17	065290000	Magazine Catch	65	065650000	Sear
18	065300000	Magazine Catch Nut	66	065430000	Sear Pin
19	068290000	Magazine Catch Plunger	67	065660000	Sear Spring
20	060690000	Magazine Catch Spring	68-75	100970000	Slide Assembly
21	065980000	Magazine Disconnecter			Includes:
22	065350000	Magazine Disconnecter Spring	68	102010000	Bolt
23	060450000	Mainspring	69	065090000	Bolt Pin
24	065420000	Mainspring Retainer	70	065920000	Extractor
25	065370000	Mainspring Retainer Pin	71	065130000	Extractor Plunger
26	066830000	Manual Safety	72	100960000	Extractor Spring
27	066860000	Manual Safety Spring Plate	73	065000000	Firing Pin
28	066850000	Manual Safety Spring Plate Screw	74	065160000	Firing Pin Spring
29	065480000	Pawl	75	065680000	Slide
30	065490000	Pawl Cam	76-77	066730000	Slide Stop & Ejector Assembly
31	065500000	Pawl Cam Plunger			Includes:
32	065510000	Pawl Cam Spring	76	065700000	Slide Stop & Ejector
33	065520000	Pawl Pin	77	065720000	Slide Stop Spring
34-45	065540000	Rear Sight Assembly, 7"	78-80	161100000	Stock Assembly, Ckrd. Walnut
		Includes:			Includes:
34	065530000	Rear Sight Body	78	065760000	Stock, Left (1)
35	051020000	Rear Sight Elevation Nut	79	065770000	Stock, Right (1)
36	065550000	Rear Sight Elevation Spring	80	065790000	Stock Screw
37	071800000	Rear Sight Elevation Stud	81	065800000	Trigger
38	065560000	Rear Sight Pivot Clip	82	065970000	Trigger Bar
39	065570000	Rear Sight Pivot Pin	83	065930000	Trigger Bar Spring
40	071580000	Rear Sight Plunger	84	065220000	Trigger Pin
41	071590000	Rear Sight Plunger Spring	85	066020000	Trigger Pull Adjusting Lever
42	065580000	Rear Sight Slide	86	065910000	Trigger Spring
43	051050000	Rear Sight Spring Clip	87	065810000	Trigger Stop Screw
44	051070000	Rear Sight Windage Nut			
45	065610000	Rear Sight Windage Screw			

* Requires factory installation.
Note (1): Sold as an assembly only.

SPECIFY MODEL NUMBER, FINISH, PART NUMBER AND PART NAME WHEN ORDERING PARTS.