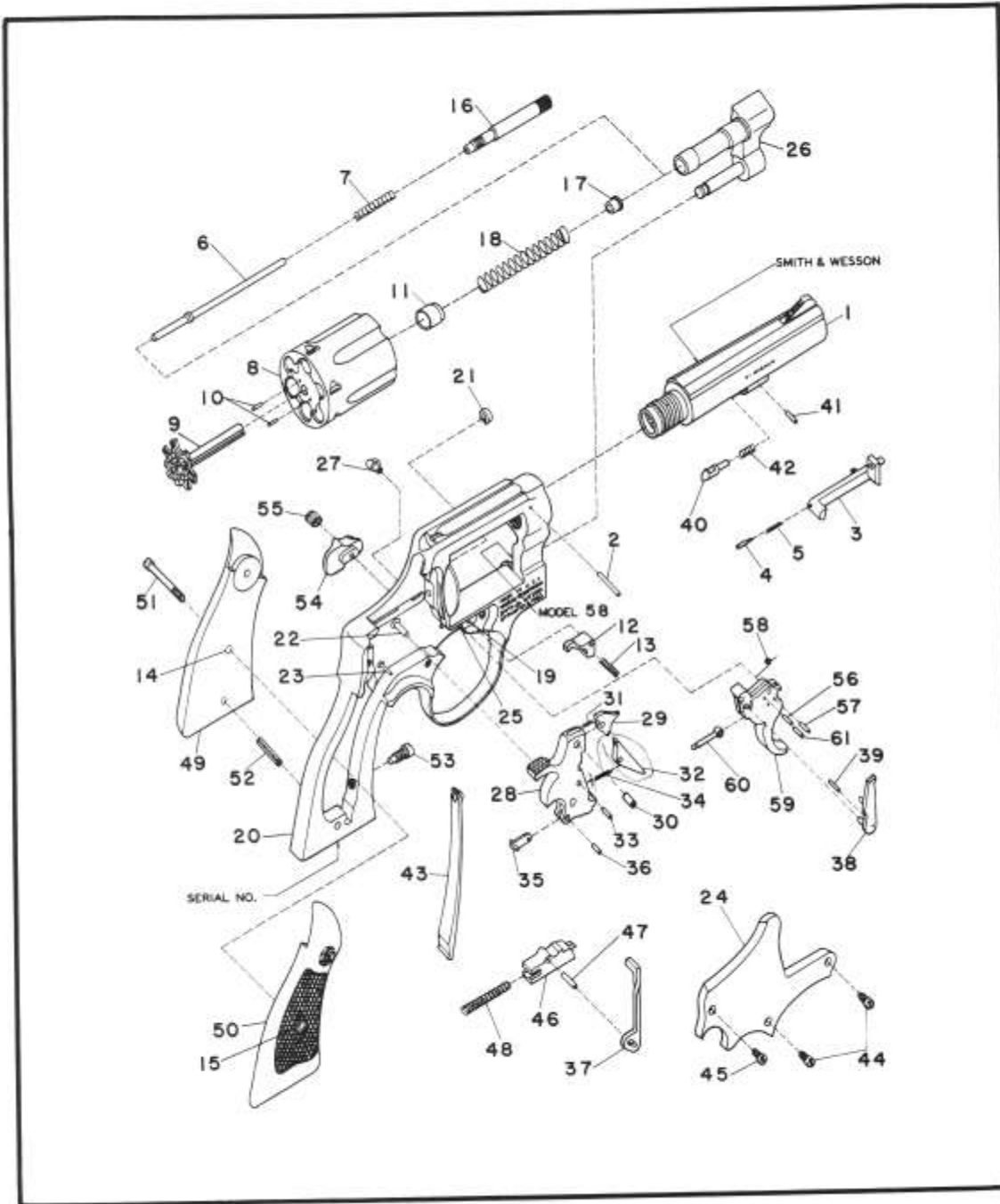


MODEL NO. 58

.41 MILITARY & POLICE REVOLVER

N FRAME .41 CALIBER REVOLVER



EXPLODED VIEW DIAGRAM.

MODEL 58

Exploded parts drawing and parts list for Smith & Wesson firearms.

**MODEL NO. 58
N FRAME .41 CALIBER REVOLVER
PARTS PRICE SCHEDULE**

<i>View #</i>	<i>Part Number</i>	<i>Part Description</i>	<i>View #</i>	<i>Part Number</i>	<i>Part Description</i>
1	045820000	*Barrel, 4 1/4"	37	054230000	Hammer Block
2	058100000	Barrel Pin	38	074930000	Hand
3	046990000	Bolt	39	070110000	Hand Pin
4	075340000	Bolt Plunger	40	054290000	Locking Bolt
5	070200000	Bolt Plunger Spring	41	057450000	Locking Bolt Pin
6	049920000	Center Pin	42	050450000	Locking Bolt Spring
7	074640000	Center Pin Spring	43	050470000	Mainspring
8-11	045810000	*Cylinder Assembly Includes:	44	050490000	Plate Screw, Crowned
8	047630000	+ Cylinder (1)	45	030910000	Plate Screw, Flat Head
9	047620000	* Extractor	46-48	041650000	Rebound Slide Assembly Includes:
10	050140000	Extractor Pin	46	041650000	Rebound Slide (1)
11	046630000	Gas Ring	47	050830000	Rebound Slide Pin
12	053570000	Cylinder Stop	48	050740000	Rebound Slide Spring
13	070550000	Cylinder Stop Spring	49-51	161030000	Stock Ass'y., Ckrd. Walnut, Round Butt Includes:
14	040670000	Escutcheon	49	059150000	Stock, Left (1)
15	040680000	Escutcheon Nut	50	059140000	Stock, Right (1)
16	054560000	Extractor Rod	51	070510000	Stock Screw
17	076850000	Extractor Rod Collar	52	050620000	Stock Pin
18	075460000	Extractor Spring	53	050640000	Strain Screw
19-26	047640000	*Frame Assembly Includes:	54	055850000	Thumbpiece
19	031540000	Cylinder Stop Stud	55	050710000	Thumbpiece Nut
20	—	* Frame (1)	56-61	043560000	Trigger Ass'y., Includes:
21	050360000	Hammer Nose Bushing	56	070190000	Hand Spring Pin
22	031550000	Hammer Stud	57	070190000	Hand Spring Torsion Pin
23	031540000	Rebound Slide Stud	58	051180000	Hand Torsion Spring
24	054300000	* Sideplate	59	050720000	Trigger (1)
25	050780200	Trigger Stud	60	070270000	Trigger Lever
26	055000000	* Yoke	61	070190000	Trigger Lever Pin
27	059300000	Frame Lug			
28-36	043850000	Hammer Assembly Includes:			
28	054160000	Hammer (1)			
29	054180000	Hammer Nose			
30	050340000	Hammer Nose Rivet			
31	057500000	Hammer Nose Spring			
32	051130000	Sear			
33	070190000	Sear Pin			
34	070200000	Sear Spring			
35	070210000	Stirrup			
36	070190000	Stirrup Pin			

*Requires Factory Installation.
Note (1): Sold as an assembly only.

SPECIFY MODEL NUMBER, FINISH, PART NUMBER AND PART NAME WHEN ORDERING PARTS.