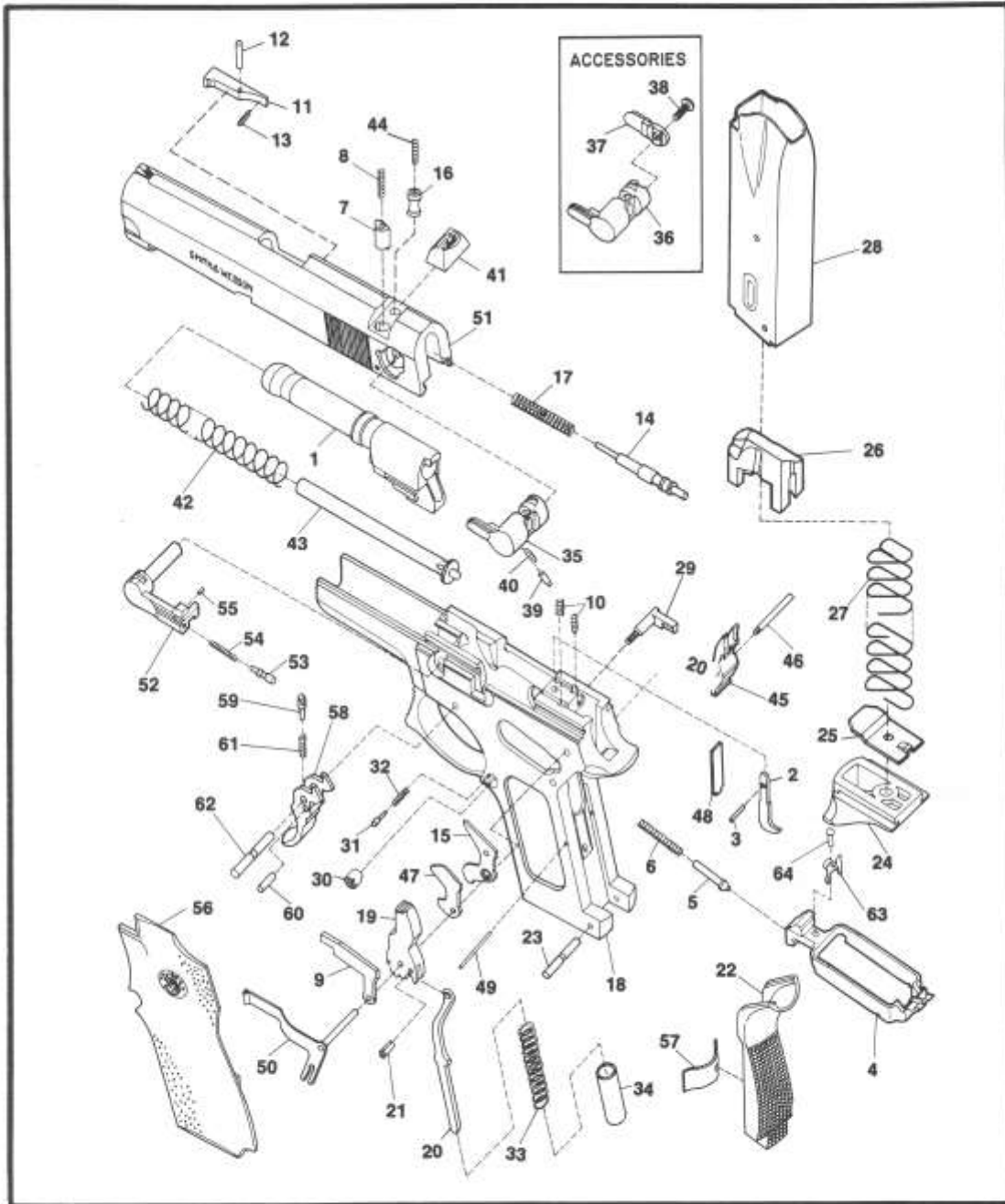


MODEL NO. 469 9MM AUTOMATIC PISTOL DOUBLE ACTION



EXPLODED VIEW DIAGRAM

MODEL 469

MODEL NO. 469

9MM AUTOMATIC PISTOL DOUBLE ACTION

PARTS PRICE SCHEDULE

<i>View #</i>	<i>Part Number</i>	<i>Part Description</i>	<i>View #</i>	<i>Part Number</i>	<i>Part Description</i>
1	069630000	Barrel,	39	100310000	Manual Safety Plunger
2-3	101390000	Disconnecter Assembly	40	063720000	Manual Safety Plunger Spring
	069500000	Includes:	41	100790000	Rear Sight, White Outline
2	068040000	Disconnecter (1)	42	100950000	Recoil Spring
3	101370000	Disconnecter Pin	43	069790000	Recoil Spring Guide Assembly
4	101370000	Drawbar			Includes:
5	061100000	Drawbar Plunger	—	069900000	Recoil Spring Guide (1), N.I.
6	068070000	Drawbar Plunger Spring	—	100210000	Recoil Spring Guide
7	068860000	Ejector Depressor Plunger			Bushing (1), N.I.
8	060140000	Ejector Depressor Plunger Spring	—	060630000	Recoil Spring Guide
9	103710000	Ejector Magazine Depressor			Plunger (1), N.I.
10	060170000	Ejector Spring	—	060640000	Recoil Spring Guide Plunger
11	101250000	Extractor			Spring (1), N.I.
12	060780000	Extractor Pin	44	063890000	Safety Lever Plunger Spring
13	100870000	Extractor Spring	45	100920000	Sear
14	103650000	Firing Pin	46	069780000	Sear Pin
15	100290000	Firing Pin Safety Lever	47	103730000	Sear Release Lever
16	069250000	Firing Pin Safety Plunger	48	104230000	Sear Spring
17	100300000	Firing Pin Spring	49	063040000	Sear Spring Retaining Pin
18	102060000	Frame	50	069810000	Sideplate
19-21	103970000	Hammer Assembly	51	100860000	Slide
		Includes:	52-55	100770000	Slide Stop Assembly
19	069670000	Hammer			Includes:
20	069680000	Stirrup	52	100750000	Slide Stop (1)
21	061520000	Stirrup Pin	53	060830000	Slide Stop Plunger
—	100130000	Hammer Pin, N.I.	54	063030000	Slide Stop Plunger Spring
22	103610000	Insert	55	064700000	Slide Stop Spirol Pin
23	062570000	Insert Pin	56	161180000	Stock Assembly
24-28	100850000	Magazine Assembly			Includes:
		Includes:	56	103030000	Stock, left (1)
24	069800000	Magazine Butt Plate	—	103020000	Stock, right (1), N.I.
25	100840000	Magazine Butt Plate Catch	57	069650000	Stock Retaining Spring
26	100260000	Magazine Follower	58-61	103120000	Trigger Assembly
27	069720000	Magazine Spring			Includes:
28	069730000	Magazine Tube	58	103130000	Trigger (1)
29	064720000	Magazine Catch	59	068780000	Trigger Plunger
30	063390000	Magazine Catch Nut	60	060110000	Trigger Plunger Pin
31	068290000	Magazine Catch Plunger	61	061220000	Trigger Plunger Spring
32	068300000	Magazine Catch Plunger Spring	62	062570000	Trigger Pin
33	069740000	Mainspring	63	101260000	Trigger Play Spring
34	062180000	Mainspring Plunger	64	061260000	Trigger Play Spring Rivet
35	069750000	Manual Safety			
36	101040000	Manual Safety, Ambidextrous			
37	100350000	Manual Safety Lever, Ambidextrous			
38	105140000	Manual Safety Lever Screw, Ambidextrous			

* Requires factory installation.

Note (1): Sold as an assembly only.

N.I. = Not illustrated.

SPECIFY MODEL NUMBER, FINISH, PART NUMBER AND PART NAME WHEN ORDERING PARTS.