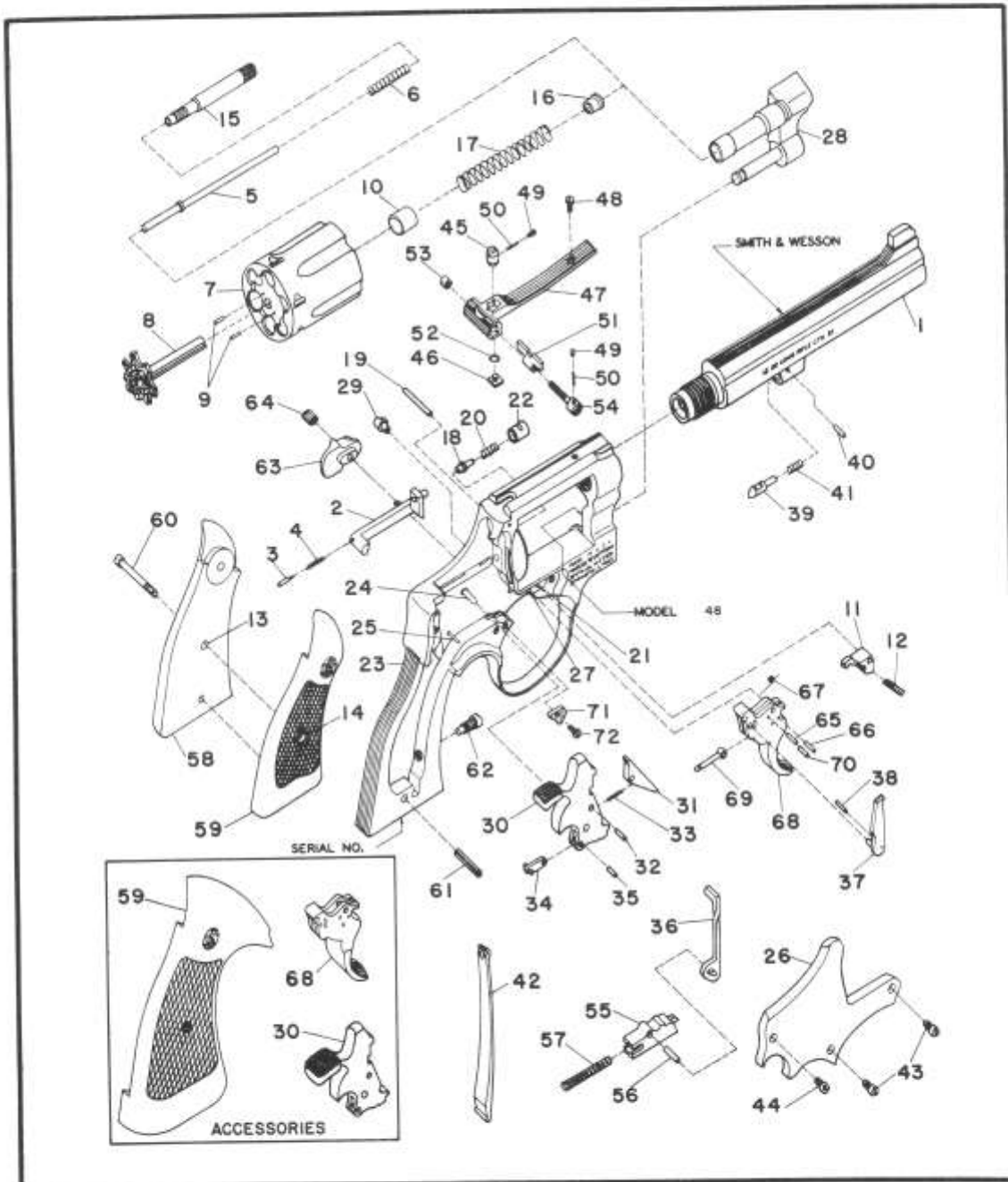


MODEL NO. 48-4

K-22 MASTERPIECE, M.R.F. REVOLVER

K FRAME .22 M.R.F. CALIBER REVOLVER



EXPLODED VIEW DIAGRAM.

MODEL 48

MODEL NO. 48-4
K FRAME .22 M.R.F. CALIBER REVOLVER
PARTS PRICE SCHEDULE

View #	Part Number	Part Description	View #	Part Number	Part Description
1	044940000	Barrel, 4 $\frac{1}{2}$ "	45-54	040810000	Rear Sight Assembly, 4 $\frac{1}{8}$ "
1	051860000	Barrel, 6"			Includes:
1	051840000	Barrel, 8 $\frac{1}{2}$ "	45	051020000	Rear Sight Elevation Nut
2	045770000	Bolt	46	071800000	Rear Sight Elevation Stud
3	070980000	Bolt Plunger	47	057860000	Rear Sight Leaf
4	070200000	Bolt Plunger Spring	48	030920000	Rear Sight Leaf Screw
5	047380000	Center Pin	49	071580000	Rear Sight Plunger
6	054580000	Center Pin Spring	50	071590000	Rear Sight Plunger Spring
7-10	030990000	Cylinder Assembly	51	040710000	Rear Sight Slide, 4 $\frac{1}{2}$ "
		Includes:	52	051050000	Rear Sight Spring Clip
7	030990000	Cylinder (1)	53	051070000	Rear Sight Windage Nut
8	054400000	* Extractor	54	071880000	Rear Sight Windage Screw
9	050140000	Extractor Pin	45-54	040890000	Rear Sight Ass'y., 4", White Outline
10	045550000	Gas Ring			Includes:
11	053570000	Cylinder Stop	51	040760000	Rear Sight Slide, 4", White Outline
12	070550000	Cylinder Stop Spring	45-54	057870000	Rear Sight Ass'y., 6" & 8 $\frac{1}{4}$ "
13	040670000	Escutcheon			Includes:
14	040680000	Escutcheon Nut	51	051090000	Rear Sight Slide, 6" & 8 $\frac{1}{4}$ "
15	054550000	Extractor Rod	45-54	040910000	Rear Sight Ass'y., 6" & 8 $\frac{1}{4}$ ", White Outline
16	076850000	Extractor Rod Collar			Includes:
17	075460000	Extractor Spring	51	059000000	Rear Sight Slide, 6" & 8 $\frac{1}{4}$ ", White Outline
18	052980000	Firing Pin			Rebound Slide Assembly
19	051640000	Firing Pin Bushing Pin			Includes:
20	051650000	Firing Pin Spring	55-56	041650000	Rebound Slide (1)
21-28	045450000	*Frame Assembly, Narrow Rib	56	050830000	Rebound Slide Pin
		Includes:	57	050740000	Rebound Slide Spring
21	031540000	Cylinder Stop Stud	58-60	161070000	Stock Assembly, Ckrd. Walnut
22	051590000	Firing Pin Bushing			Includes:
23	045450000	* Frame	58	032450000	Stock, Left (1)
24	031550000	Hammer Stud	59	032460000	Stock, Right (1)
25	031540000	Rebound Slide Stud	60	071910000	Stock Screw
26	033850000	* Side Plate	58-60	164200000	Stock Ass'y., Target, Ckrd. Walnut
27	050780200	Trigger Stud			Includes:
28	044670000	* Yoke	59	045600000	Stock, Tgt. Left (1) N.I.
21-28	045510000	Frame Ass'y., Wide Rib	60	071900000	Stock, Tgt. Right (1)
29	031000000	Frame Lug	61	050620000	Stock Screw Target
30-35	043720000	Hammer Assembly	62	050640000	Stock Pin
		Includes:	63	055850000	Strain Screw
30	050900000	Hammer (1)	64	050710000	Thumbpiece
31	051130000	Sear	65-70	043560000	Thumbpiece Nut
32	070190000	Sear Pin			Trigger Assembly, .265", 6" & 8 $\frac{1}{4}$ "
33	070200000	Sear Spring			Includes:
34	070210000	Stirrup	65	070190000	Hand Spring Pin
35	070190000	Stirrup Pin	66	070190000	Hand Spring Torsion Pin
30-35	043740000	Hammer Assembly, Target	67	051180000	Hand Torsion Spring
		Includes:	68	031140000	Trigger (1)
30	—	Hammer, Target (1)	69	070270000	Trigger Lever
36	050840000	Hammer Block	70	070190000	Trigger Lever Pin
37	077680000	Hand	65-67	045960000	Trigger Ass'y., Target, Smooth .312, 4" bbl.
38	070110000	Hand Pin			Includes:
39	050430000	Locking Bolt	—	031170000	Trigger
40	050440000	Locking Bolt Pin	—	—	Trigger, Tgt. Smooth .312 (1) N.I.
41	050450000	Locking Bolt Spring	65-67	046780000	Trigger Ass'y., Tgt. Serrated, .400
42	050470000	Mainspring			Includes:
43	050490000	Plate Screw, Crowned	68	046650000	Trigger Tgt. Serrated, .400 (1)
44	030910000	Plate Screw, Flat Head	71	074430000	Trigger Stop
			72	030920000	Trigger Stop Screw

* Requires factory installation.

Note (1): Sold as an assembly only.

N.I. = Not illustrated.

SPECIFY MODEL NUMBER, FINISH, PART NUMBER AND PART NAME WHEN ORDERING PARTS.