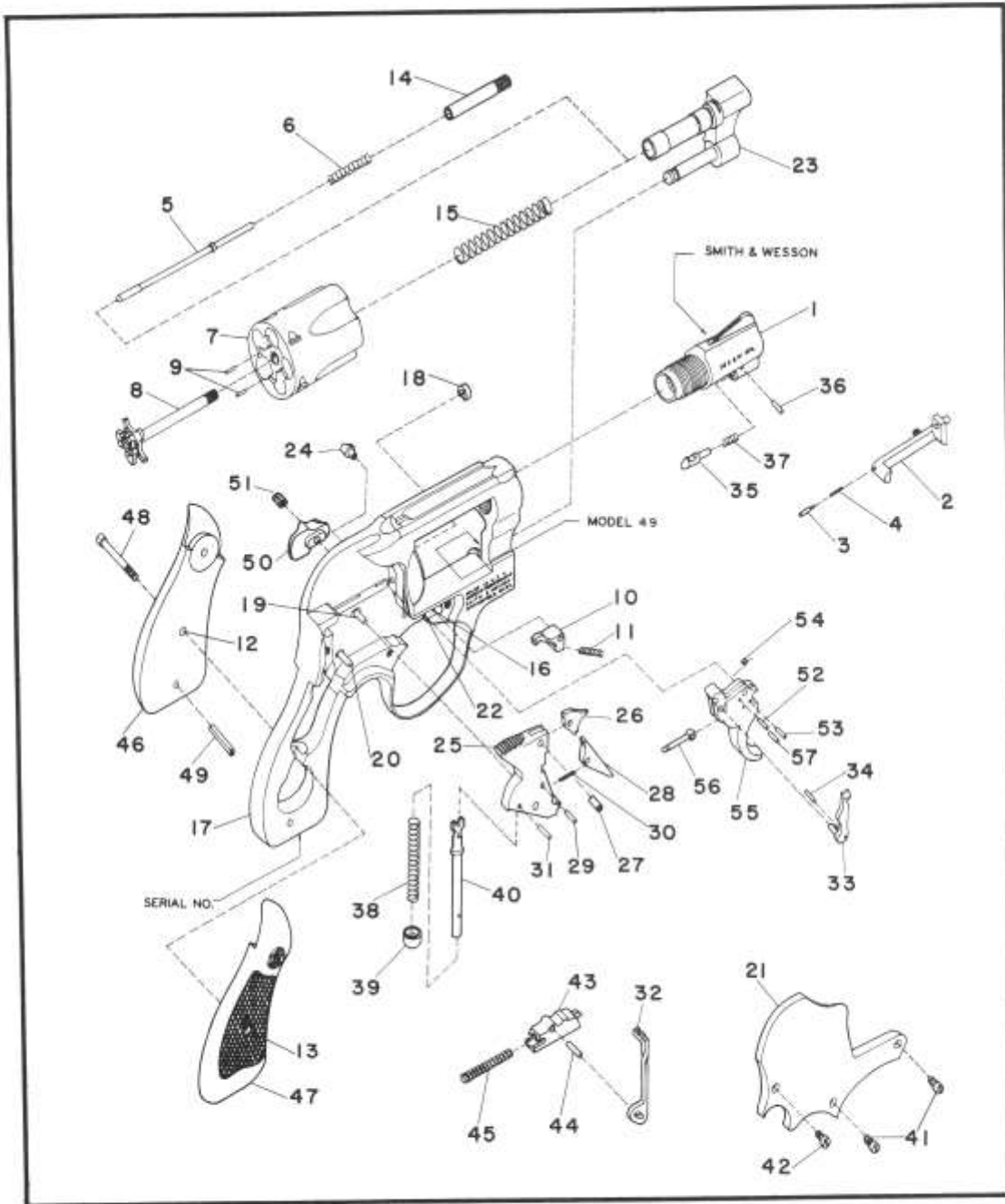


MODEL NO. 49

.38 BODYGUARD REVOLVER

J FRAME .38 CALIBER REVOLVER



EXPLODED VIEW DIAGRAM.

MODEL 49

MODEL NO. 49 J FRAME .38 CALIBER REVOLVER PARTS PRICE SCHEDULE

View#	Part Number	Part Description	View #	Part Number	Part Description
1	031080000	Barrel, 2"	32	052940000	Hammer Block
2	047390000	Bolt	33	055940000	Hand
3	070980000	Bolt Plunger	34	070790000	Hand Pin
4	070200000	Bolt Plunger Spring	35	051470000	Locking Bolt
5	049860000	Center Pin	36	050440000	Locking Bolt Pin
6	070630000	Center Pin Spring	37	050450000	Locking Bolt Spring
7-9	035040000	Cylinder Assembly	38	057490000	Mainspring
		Includes:	39	052160000	Mainspring Rod Swivel
7	035040000	Cylinder (1)	40	054860000	Mainspring Stirrup
8	052390000	* Extractor	41	053110000	Plate Screw, Crowned
9	050140000	Extractor Pin	42	030910000	Plate Screw, Flat Head
10	053140000	Cylinder Stop	43-44	056160000	Rebound Slide Assembly
11	041300000	Cylinder Stop Spring			Includes:
12	040670000	Escutcheon	43	056160000	Rebound Slide (1)
13	040680000	Escutcheon Nut	44	053150000	Rebound Slide Pin
14	052550000	Extractor Rod	45	050740000	Rebound Slide Spring
15	075790000	Extractor Spring	46-48	161050000	Stock Ass'y., Ckrd. Walnut
16-23	034910000	*Frame Assembly			Includes:
		Includes:	46	032390000	Stock, left (1)
16	052780000	Cylinder Stop Stud	47	032400000	Stock, right (1)
17	—	* Frame (1)	48	072550000	Stock Screw
18	050360000	Hammer Nose Bushing	49	050620000	Stock Pin
19	052770000	Hammer Stud	50	056140100	Thumbpiece
20	052780000	Rebound Slide Stud	51	050710000	Thumbpiece Nut
21	051830000	* Sideplate	52-57	049340000	Trigger Ass'y.
22	052780000	Trigger Stud			Includes:
23	053180000	* Yoke	52	070820000	Hand Spring Pin
24	032880000	Frame Lug	53	070810000	Hand Spring Torsion Pin
25-31	043600000	Hammer Assembly	54	053020000	Hand Torsion Spring
		Includes:	55	031180000	Trigger (1)
25	054810000	Hammer (1)	56	070970000	Trigger Lever
26	052910000	Hammer Nose	57	070810000	Trigger Lever Pin
27	052930000	Hammer Nose Rivet			
28	053170000	Sear			
29	070810000	Sear Pin			
30	070200000	Sear Spring			
31	054870000	Stirrup Pin			

* Requires factory installation.
Note (1): Sold as an assembly only.
N.I. = Not illustrated.

SPECIFY MODEL NUMBER, FINISH, PART NUMBER AND PART NAME WHEN ORDERING PARTS.