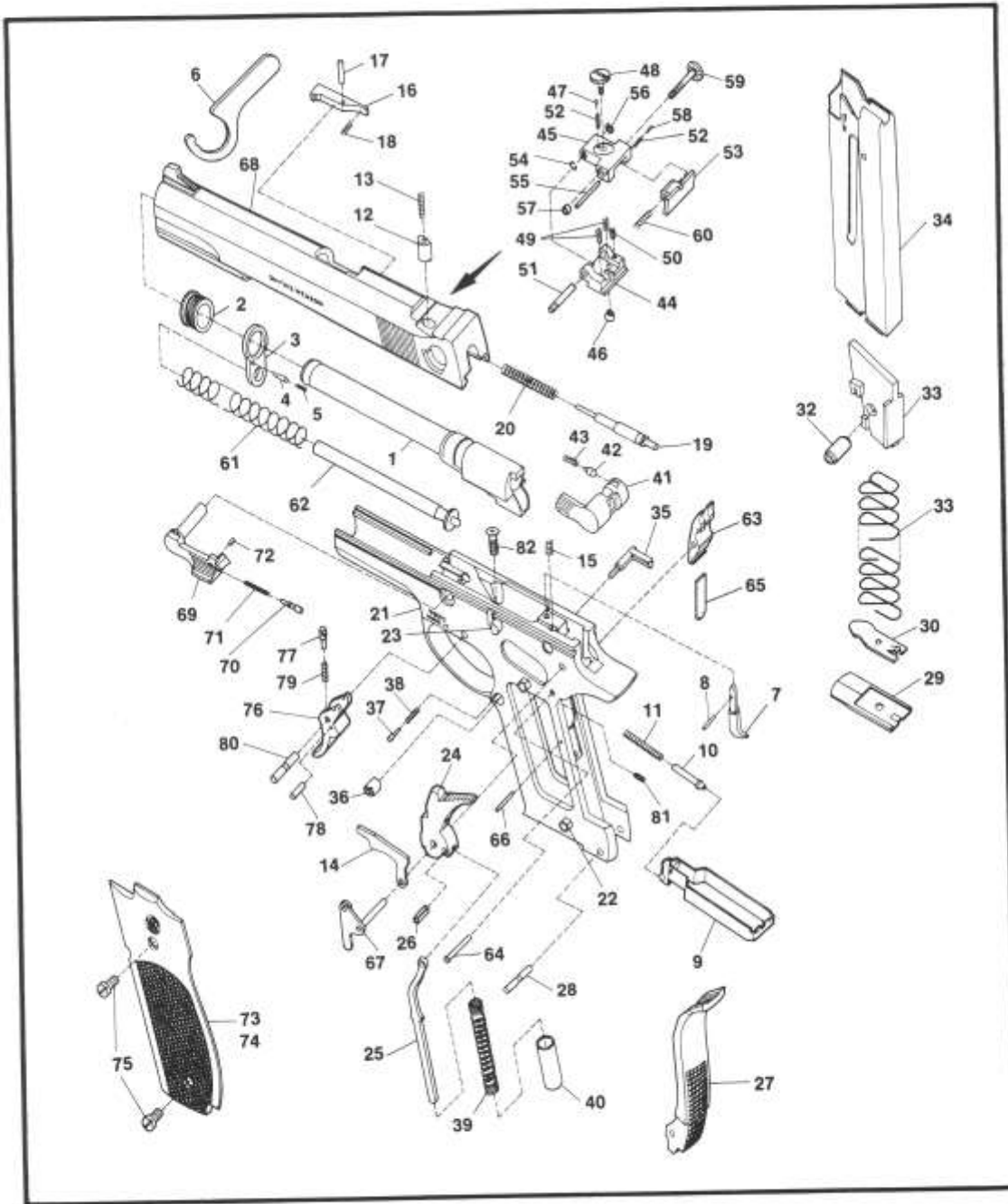


MODEL NO. 52-2

.38 MASTER PISTOL



EXPLODED VIEW DIAGRAM.

MODEL 52

MODEL NO. 52-2 .38 MASTER PISTOL PARTS PRICE SCHEDULE

View #	Part Number	Part Description	View #	Part Number	Part Description
1	062070000	Barrel	44-59	061950000	Rear Sight Assembly
2	062230000	Barrel Bushing			Includes:
3	062240000	Barrel Bushing Plate	44	061960000	Rear Sight Base
4	062250000	Barrel Bushing Plunger	45	061970000	Rear Sight Body
5	050450000	Barrel Bushing Plunger Spring	46	062000000	Rear Sight Elevation Nut
6	062270000	Barrel Bushing Wrench	47	071580000	Rear Sight Elevation Plunger
7-8	068640000	Disconnector Assembly	48	062010000	Rear Sight Elevation Screw
		Includes:	49	062510000	Rear Sight Elevation Spring
7	069910000	Disconnector (1)	50	062280000	Rear Sight Lock Screw
8	068040000	Disconnector Pin	51	061990000	Rear Sight Pivot Pin
9	062410000	Drawbar	52	071590000	Rear Sight Plunger Spring
10	061100000	Drawbar Plunger	53	061980000	Rear Sight Slide
11	062320000	Drawbar Plunger Spring	54	062260000	Rear Sight Spring Clip
12	068860000	Ejector Depressor Plunger	55	063380000	Rear Sight Traverse Pin
13	062300000	Ejector Depressor Plunger Spring	56	062120000	Rear Sight Wavy Washer
14	061820000	Ejector Magazine Depressor	57	062050000	Rear Sight Windage Nut
15	060170000	Ejector Spring	58	063220000	Rear Sight Windage Plunger
16	063180000	Extractor	59	062040000	Rear Sight Windage Screw
17	060780000	Extractor Pivot Pin	60	062060000	Rear Sight Windage Spring
18	060070000	Extractor Spring	61	062080000	Recoil Spring
19	060190000	Firing Pin	62	100230000	Recoil Spring Guide Assembly
20	062310000	Firing Pin Spring			Includes:
21-23	060030000	*Frame Assembly	—	062090000	Recoil Spring Guide (1) NI
		Includes:	—	100210000	Recoil Spring Guide Bushing, NI
21	062420000	* Frame	—	060630000	Recoil Spring Guide Plunger, NI
22	062190000	Frame Stud	—	060640000	Recoil Spring Guide Spring, NI
23	060810000	Slide Stop Button	63	066170000	Sear
24-26	063630000	Hammer Assembly	64	060660000	Sear Pin
		Includes:	65	062390000	Sear Spring
24	062370000	Hammer (1)	66	062430000	Sear Spring Retaining Pin
25	061510000	Stirrup	67	061170000	Sideplate Assembly
26	061520000	Stirrup Pin			Includes:
27	062110000	Insert	—	060290000	Hammer Pin (1) NI
28	060310000	Insert Pin	—	061170000	Sideplate (1)
29-34	061840000	Magazine Assembly	—	060750000	Sideplate Button (1) NI
		Includes:	68	063170000	Slide
29	061850000	Magazine Butt Plate	69-72	063640000	Slide Stop Assembly
30	060360000	Magazine Butt Plate Catch			Includes:
31	065670000	Magazine Follower	69	061930000	Slide Stop (1)
32	061880000	Magazine Pin	70	060830000	Slide Stop Plunger
33	061890000	Magazine Spring	71	063030000	Slide Stop Plunger Spring
34	061900000	Magazine Tube	72	063260000	Slide Stop Spirol Pin
35	061860000	Magazine Catch	73-75	161170000	Stock Assembly, Ckrd. Walnut
36	060400000	Magazine Catch Nut			Includes:
37	068290000	Magazine Catch Plunger	73	061330000	Stock, Left (1)
38	068300000	Magazine Catch Spring	74	061320000	Stock, Right (1)
39	062290000	Mainspring	75	062210000	Stock Screw
40	062170000	Mainspring Plunger	76-79	063650000	Trigger Assembly
41	061280000	Manual Safety			Includes:
42	063980000	Manual Safety Plunger	76	062400000	Trigger (1)
43	060790000	Manual Safety Plunger Spring	77	068780000	Trigger Plunger
			78	060110000	Trigger Plunger Pin
			79	061220000	Trigger Plunger Spring
			80	060310000	Trigger Pin
			81	062160000	Trigger Stop Screw, Lower
			82	062150000	Trigger Stop Screw, Upper

* Requires factory installation.

Note (1): Sold as an assembly only.

N.I. = Not illustrated.

SPECIFY MODEL NUMBER, FINISH, PART NUMBER AND PART NAME WHEN ORDERING PARTS.