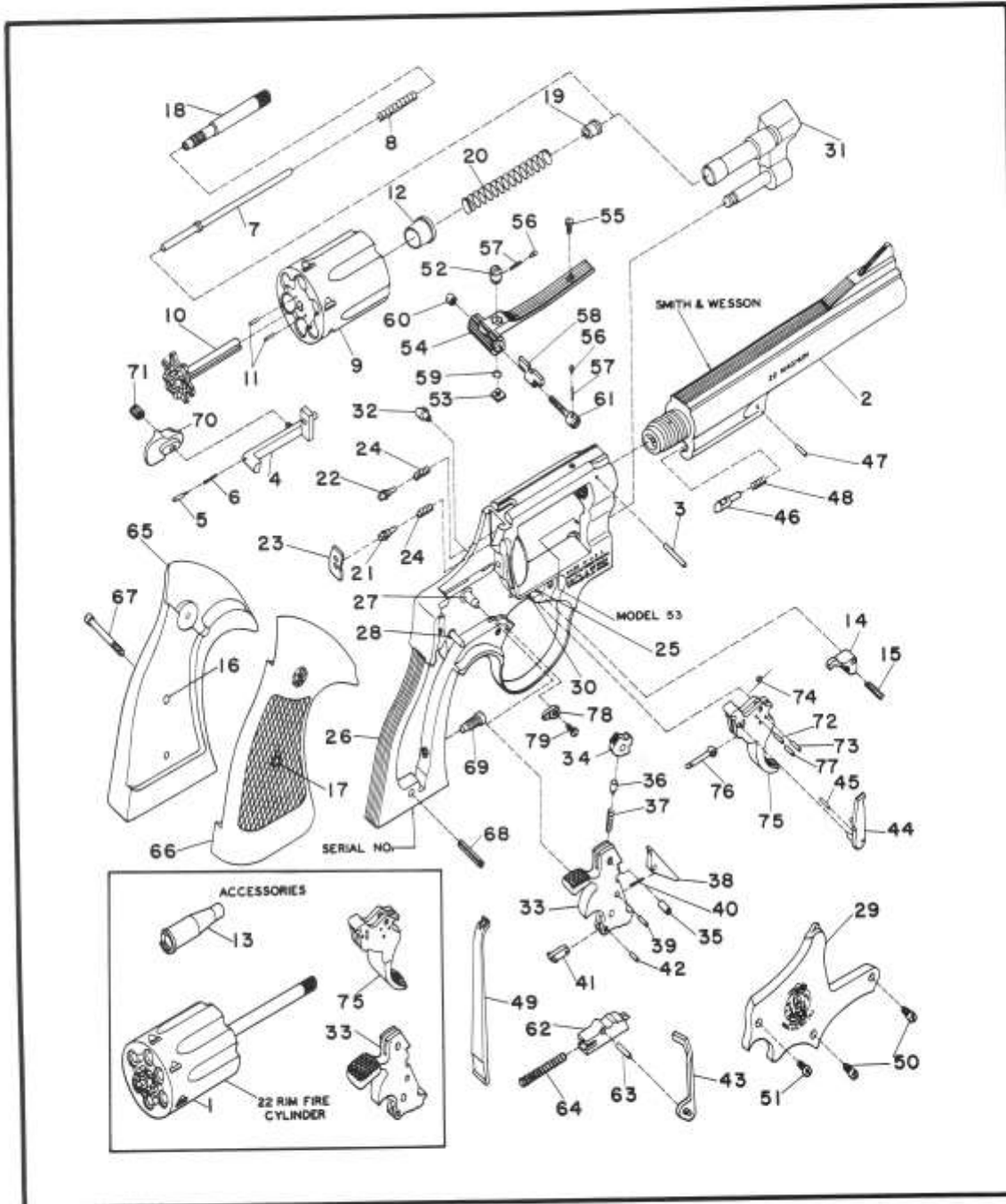


MODEL NO. 53

.22 MAGNUM REVOLVER

K FRAME .22 CALIBER REVOLVER



EXPLODED VIEW DIAGRAM.

MODEL 53

MODEL NO. 53
K FRAME .22 CALIBER REVOLVER
PARTS PRICE SCHEDULE

View #	Part Number	Part Description	View #	Part Number	Part Description
1	057830000	*Auxiliary Cylinder, .22 LR Caliber	43	057710000	Hammer Block
2	057930000	*Barrel, 4"	44	072170000	Hand
2	057070000	*Barrel, 6"	45	070110000	Hand Pin
2	057080000	*Barrel, 8 1/4"	46	050430000	Locking Bolt
3	050020000	Barrel Pin	47	057450000	Locking Bolt Pin
4	045770000	Bolt	48	050450000	Locking Bolt Spring
5	070980000	Bolt Plunger	49	050470000	Mainspring
6	070200000	Bolt Plunger Spring	50	050490000	Plate Screw, Crowned
7	047380000	Center Pin	51	030910000	Plate Screw, Flat Head
8	054580000	Center Pin Spring	52-61	040820000	Rear Sight Ass'y., 4 1/4", blue
9-12	057640000	*Cylinder Assembly			Includes:
9	—	Includes:	52	051020000	Rear Sight Elevation Nut
10	057650000	* Cylinder (1)	53	071800000	Rear Sight Elevation Stud
11	050140000	* Extractor	54	057860000	Rear Sight Leaf
12	045550000	Extractor Pin	55	030920000	Rear Sight Leaf Screw
13	057820000	Gas Ring	56	071580000	Rear Sight Plunger
14	053570000	Cylinder Insert	57	071590000	Rear Sight Plunger Spring
15	070550000	Cylinder Stop	58	040720000	Rear Sight Slide, Blue
16	040670000	Cylinder Stop Spring	59	051050000	Rear Sight Spring Clip
17	040680000	Escutcheon	60	051070000	Rear Sight Windage Nut
18	054550000	Escutcheon Nut	61	071880000	Rear Sight Windage Screw
19	076850000	Extractor Rod	52-61	040810000	Rear Sight Ass'y., 6" & 8 1/4", blue
20	075460000	Extractor Rod Collar			Includes:
21	057800000	Extractor Spring	58	040710000	Rear Sight Slide, Blue
22	057790000	Firing Pin, Lower	52-61	040900000	Rear Sight Ass'y., 4 1/4", White Outline
23	057810000	Firing Pin, Upper			Includes:
24	057690000	Firing Pin Retainer	58	040770000	Rear Sight Slide, W.O.
25-31	054250000	*Frame Assembly	52-61	040890000	Rear Sight Ass'y., 6" & 8 1/4", W.O.
25	031540000	Includes:			Includes:
26	—	Cylinder Stop Stud	58	040760000	Rear Sight Slide, W.O.
27	031550000	* Frame (1)	62-63	041650000	Rebound Slide Assembly
28	031540000	Hammer Stud			Includes:
29	057730000	Rebound Slide Stud	62	—	Rebound Slide (1)
30	050780200	* Sideplate	63	050830000	Rebound Slide Pin
31	046670000	Trigger Stud	64	050740000	Rebound Slide Spring
32	058690100	* Yoke	65-67	164200000	Stock Ass'y.,
33-42	043730000	Frame Lug			Includes:
33	—	Hammer Ass'y., 375"	65	045600000	Stock, Left (1)
34	057670000	Includes:	66	071900000	Stock, Right (1)
35	057700000	Hammer (1)	67	072630000	Stock Screw
36	057680000	Hammer Nose	68	050620000	Stock Pin
37	057500000	Hammer Nose Rivet	69	050640000	Strain Screw
38	051130000	Hammer Nose Plunger	70	055850000	Thumbpiece
39	070190000	Hammer Nose Plunger Spring	71	050710000	Thumbpiece Nut
40	070200000	Sear	72-77	043560000	Trigger Ass'y., .265"
41	070210000	Sear Pin			Includes:
42	070190000	Sear Spring	72	070190000	Hand Spring Pin
33-42	043750000	Stirrup	73	070190000	Hand Spring Torsion Pin
33	—	Stirrup Pin	74	051180000	Hand Torsion Spring
		Hammer Ass'y., Tgt., 500"	75	—	Trigger (1)
		Includes:	76	070270000	Trigger Lever
		Hammer, Tgt. (1)	77	070190000	Trigger Lever Pin
			72-77	046780000	Trigger Ass'y., Tgt. 400"
					Includes:
			75	—	Trigger, Tgt. (1)
			78	074430000	Trigger Stop
			79	030920000	Trigger Stop Screw

* Requires factory installation.

Note (1): Sold as an assembly only.

N.I. = Not illustrated.

SPECIFY MODEL NUMBER, FINISH, PART NUMBER AND PART NAME WHEN ORDERING PARTS.