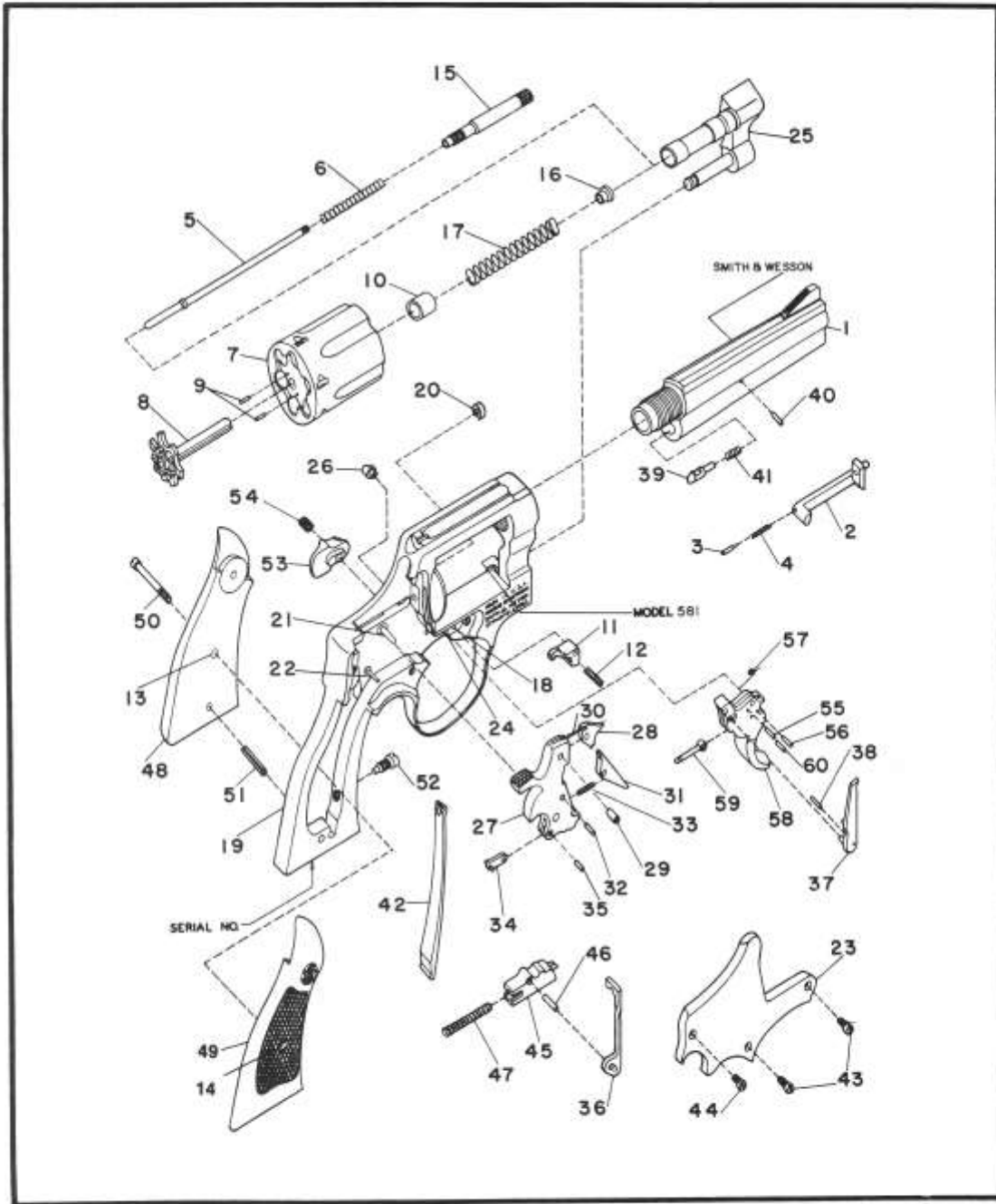


MODEL NO. 581-1 DISTINGUISHED SERVICE MAGNUM REVOLVER L FRAME .357 CALIBER



EXPLODED VIEW DIAGRAM.

MODEL 581

MODEL NO. 581-1 L FRAME .357 CALIBER REVOLVER PARTS PRICE SCHEDULE

<i>View #</i>	<i>Part Number</i>	<i>Part Description</i>	<i>View #</i>	<i>Part Number</i>	<i>Part Description</i>
1	047340000	*Barrel, 4 1/8"	36	071150000	Hammer Block
2	047120000	Bolt	37	077630000	Hand
3	070980000	Bolt Plunger	38	070110000	Hand Pin
4	070200000	Bolt Plunger Spring	39	051470000	Locking Bolt
5	049890000	Center Pin	40	047350000	Locking Bolt Pin
6	074640000	Center Pin Spring	41	050450000	Locking Bolt Spring
7-10	047090000	*Cylinder Assembly	42	050470000	Mainspring
		Includes:	43	050490000	Plate Screw, Crowned
7	047090000	* Cylinder (1)	44	030910000	Plate Screw, Flat Head
8	047200000	* Extractor	45-46	041650000	Rebound Slide Assembly
9	050140000	Extractor Pin			Includes:
10	045550000	Gas Ring	45	041650000	Rebound Slide (1)
11	053570000	Cylinder Stop	46	050830000	Rebound Slide Pin
12	070550000	Cylinder Stop Spring	47	050740000	Rebound Slide Spring
13	040670000	Escutcheon	48-50	161040000	Stock Ass'y., Square Std. Ckrd. Walnut
14	040680000	Escutcheon Nut			Includes:
15	054550000	Extractor Rod	48	032430000	Stock, Left (1)
16	076850000	Extractor Rod Collar	49	032440000	Stock, Right (1)
17	075460000	Extractor Spring	50	070510000	Stock Screw
18-25	034520000	*Frame Assembly, Square Butt	51	050620000	Stock Pin
		Includes:	52	050640000	Strain Screw
18	031540000	Cylinder Stop Stud	53	055850000	Thumbpiece
19	031390000	* Frame (1)	54	050710000	Thumbpiece Nut
20	033690000	Hammer Nose Bushing	55-60	033740000	Trigger Assembly
21	033700000	Hammer Stud			Includes:
22	031540000	Rebound Slide Stud	55	070190000	Hand Spring Pin
23	033850000	* Side Plate	56	070190000	Hand Spring Torsion Pin
24	033710000	Trigger Stud	57	051180000	Hand Torsion Spring
25	031400000	* Yoke	58	031170000	Trigger (1)
26	031010100	Frame Lug	59	070270000	Trigger Lever
27-35	033780000	Hammer Assembly	60	070190000	Trigger Lever Pin
		Includes:			
27	031120000	Hammer (1)			
28	047020000	Hammer Nose			
29	050340000	Hammer Nose Rivet			
30	072960000	Hammer Nose Spring			
31	051130000	Sear			
32	070190000	Sear Pin			
33	070200000	Sear Spring			
34	070210000	Stirrup			
35	070190000	Stirrup Pin			

* Requires factory installation.
Note (1): Sold as an assembly only.
N.I. = Not illustrated.

SPECIFY MODEL NUMBER, FINISH, PART NUMBER AND PART NAME WHEN ORDERING PARTS.