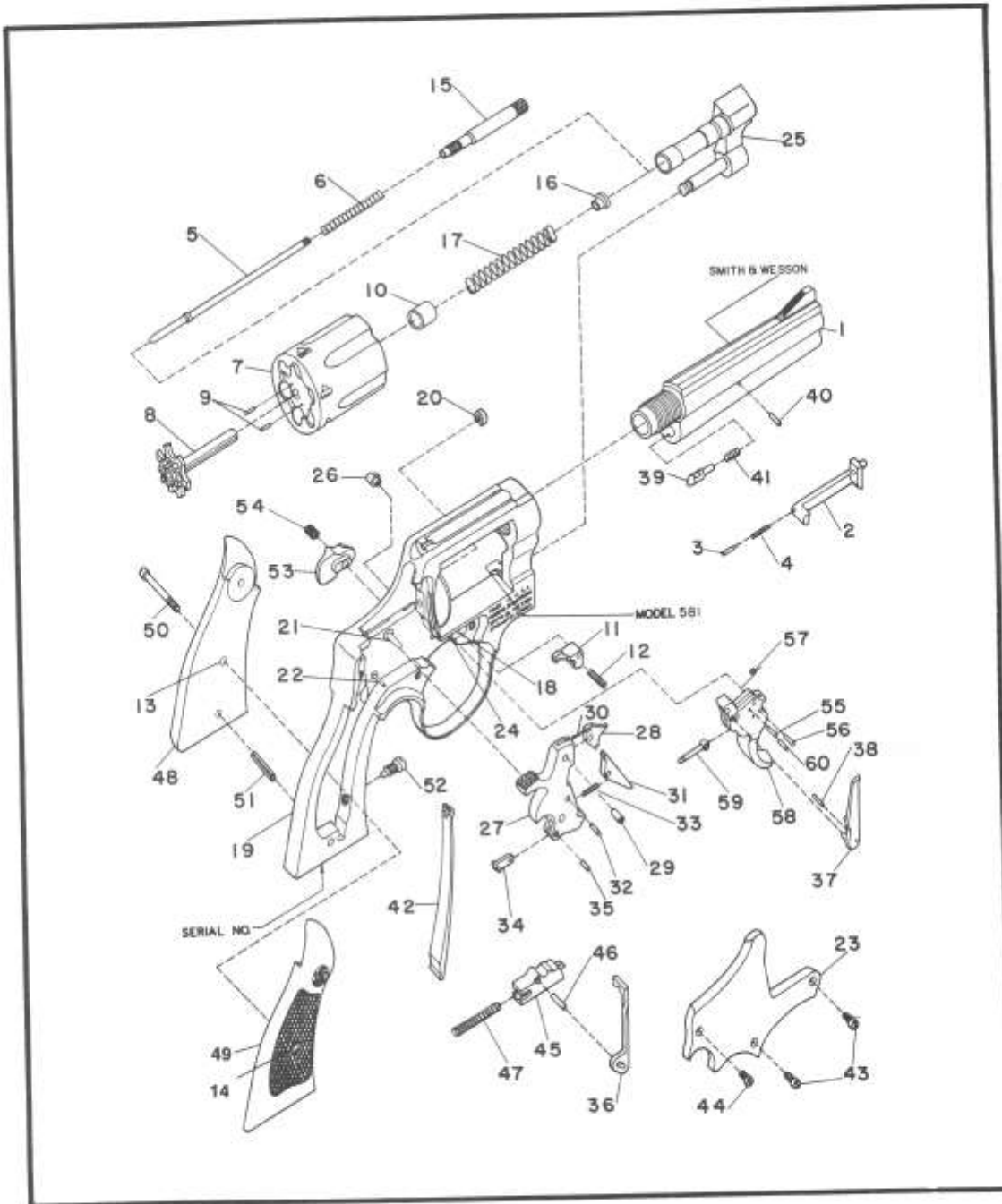


MODEL NO. 581 DISTINGUISHED SERVICE MAGNUM REVOLVER L FRAME .357 CALIBER



EXPLODED VIEW DIAGRAM.

MODEL 581

**MODEL NO. 581
L FRAME .357 CALIBER REVOLVER
PARTS PRICE SCHEDULE**

<i>View #</i>	<i>Part Number</i>	<i>Part Description</i>	<i>View #</i>	<i>Part Number</i>	<i>Part Description</i>
1	047340000	*Barrel, 4 1/4"	36	071150000	Hammer Block
2	047120000	Bolt	37	075220000	Hand
3	070980000	Bolt Plunger	38	070110000	Hand Pin
4	070200000	Bolt Plunger Spring	39	051470000	Locking Bolt
5	049890000	Center Pin	40	047350000	Locking Bolt Pin
6	074640000	Center Pin Spring	41	050450000	Locking Bolt Spring
7-10	047090000	*Cylinder Assembly Includes:	42	050470000	Mainspring
7	047090000	* Cylinder (1)	43	050490000	Plate Screw, Crowned
8	047200000	* Extractor	44	030910000	Plate Screw, Flat Head
9	050140000	Extractor Pin	45-46	041650000	Rebound Slide Assembly Includes:
10	045550000	Gas Ring	45	041650000	Rebound Slide (1)
11	053570000	Cylinder Stop	46	050830000	Rebound Slide Pin
12	070550000	Cylinder Stop Spring	47	050740000	Rebound Slide Spring
13	040670000	Escutcheon	48-50	161040000	Stock Ass'y., Square Std. Ckrd. Walnut Includes:
14	040680000	Escutcheon Nut	48	032430000	Stock, Left (1)
15	054550000	Extractor Rod	49	032440000	Stock, Right (1)
16	076850000	Extractor Rod Collar	50	070510000	Stock Screw
17	075460000	Extractor Spring	51	050620000	Stock Pin
18-25	034520000	*Frame Assembly, Square Butt Includes:	52	050640000	Strain Screw
18	031540000	Cylinder Stop Stud	53	055850000	Thumbpiece
19	031390000	* Frame (1)	54	050710000	Thumbpiece Nut
20	033690000	Hammer Nose Bushing	55-60	045960000	Trigger Assembly Includes:
21	033700000	Hammer Stud	55	070190000	Hand Spring Pin
22	031540000	Rebound Slide Stud	56	070190000	Hand Spring Torsion Pin
23	033850000	* Side Plate	57	051180000	Hand Torsion Spring
24	033710000	Trigger Stud	58	031170000	Trigger (1)
25	031400000	* Yoke	59	070270000	Trigger Lever
26	031010100	Frame Lug	60	070190000	Trigger Lever Pin
27-35	033780000	Hammer Assembly Includes:			
27	031120000	Hammer (1)			
28	047020000	Hammer Nose			
29	050340000	Hammer Nose Rivet			
30	072960000	Hammer Nose Spring			
31	051130000	Sear			
32	070190000	Sear Pin			
33	070200000	Sear Spring			
34	070210000	Stirrup			
35	070190000	Stirrup Pin			

* Requires factory installation.
Note (1): Sold as an assembly only.
N.I. = Not illustrated.

SPECIFY MODEL NUMBER, FINISH, PART NUMBER AND PART NAME WHEN ORDERING PARTS.