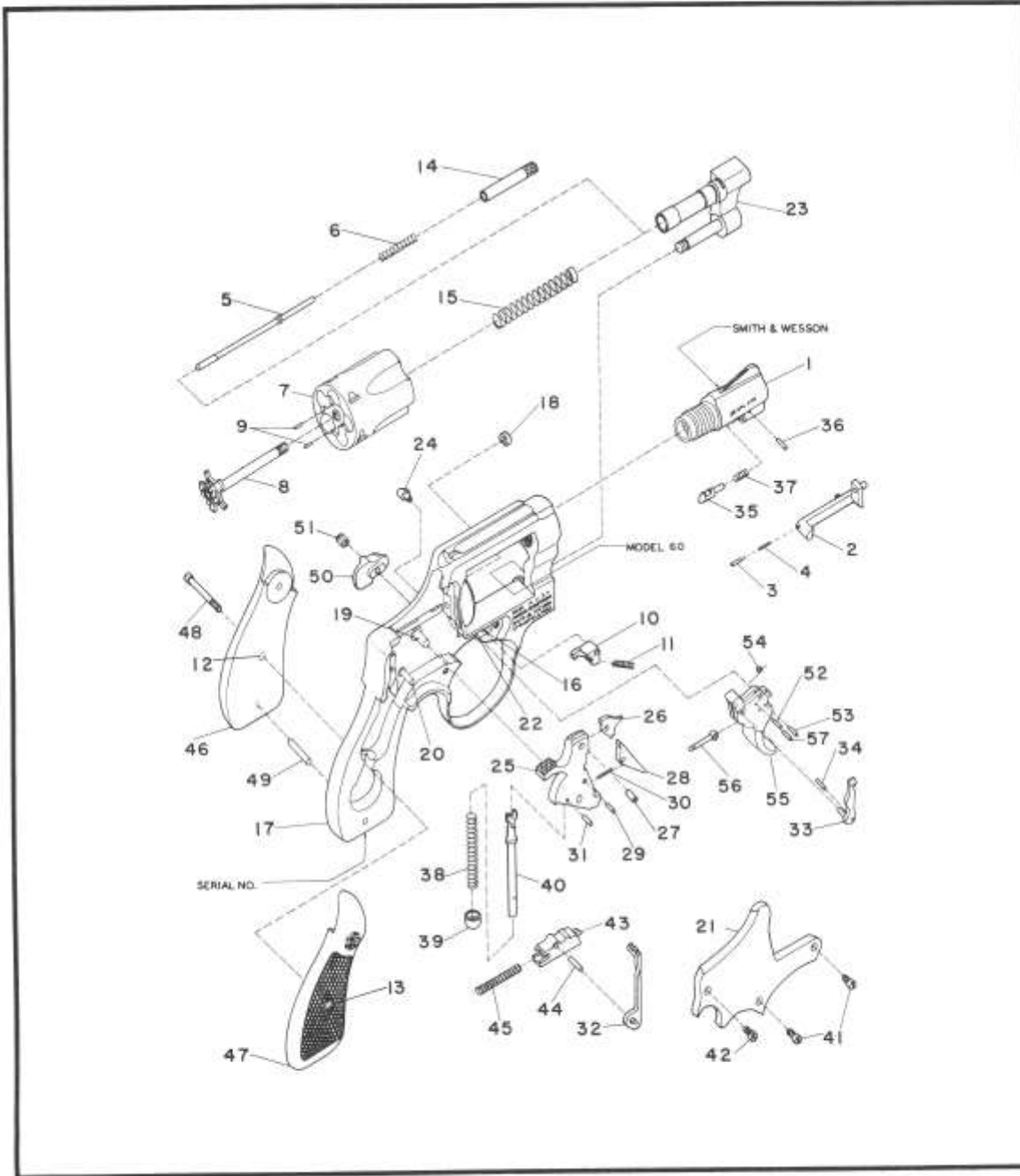


MODEL NO. 60

.38 CHIEFS SPECIAL STAINLESS REVOLVER

J FRAME .38 CALIBER REVOLVER



EXPLODED VIEW DIAGRAM.

MODEL 60

MODEL NO. 60 J FRAME .38 CALIBER REVOLVER PARTS PRICE SCHEDULE

<i>View #</i>	<i>Part Number</i>	<i>Part Description</i>	<i>View #</i>	<i>Part Number</i>	<i>Part Description</i>
1	076690000	Barrel, 2"	32	070760000	Hammer Block
2	075570000	Bolt	33	070780000	Hand
3	070980000	Bolt Plunger	34	070790000	Hand Pin
4	070200000	Bolt Plunger Spring	35	070590000	Locking Bolt
5	075690000	Center Pin	36	070830000	Locking Bolt Pin
6	070630000	Center Pin Spring	37	070140000	Locking Bolt Spring
7-9	077850000	Cylinder Assembly Includes:	38	071040000	Mainspring
7	077850000	Cylinder (1)	39	070610000	Mainspring Rod Swivel
8	070650000	* Extractor	40	070840000	Mainspring Stirrup
9	072620000	Extractor Pin	41	070850000	Plate Screw, Crowned
10	077750000	Cylinder Stop	42	070370000	Plate Screw, Flat Head
11	071280000	Cylinder Stop Spring	43-44	070860000	Rebound Slide Assembly Includes:
12	040670000	Escutcheon	43	070860000	Rebound Slide (1)
13	040680000	Escutcheon Nut	44	070870000	Rebound Slide Pin
14	070660000	Extractor Rod	45	070280000	Rebound Slide Spring
15	075790000	Extractor Spring	46-48	161050000	Stock Ass'y., Includes:
16-23	075830000	*Frame Assembly Includes:	46	032390000	Stock, Left (1)
16	070700000	Cylinder Stop Stud	47	032400000	Stock, Right (1)
17	—	* Frame	48	072550000	Stock Screw
18	071240000	Hammer Nose Bushing	49	070220000	Stock Pin
19	070690000	Hammer Stud	50	071020100	Thumbpiece
20	070700000	Rebound Slide Stud	51	070250000	Thumbpiece Nut
21	070900000	* Sideplate	52-57	049350000	Trigger Ass'y., Includes:
22	070700000	Trigger Stud	52	070820000	Hand Spring Pin
23	070890000	* Yoke	53	070810000	Hand Spring Torsion Pin
24	076660000	Frame Lug	54	070800000	Hand Torsion Spring
25-31	049030000	Hammer Assembly Includes:	55	031290000	Trigger (1)
25	031210000	Hammer (1)	56	070970000	Trigger Lever
26	071200000	Hammer Nose	57	070810000	Trigger Lever Pin
27	071190000	Hammer Nose Rivet			
28	070880000	Sear			
29	070810000	Sear Pin			
30	070200000	Sear Spring			
31	071090000	Stirrup Pin			

* Requires factory installation.
Note (1): Sold as an assembly only.
N.I. = Not illustrated.

SPECIFY MODEL NUMBER, FINISH, PART NUMBER AND PART NAME WHEN ORDERING PARTS.