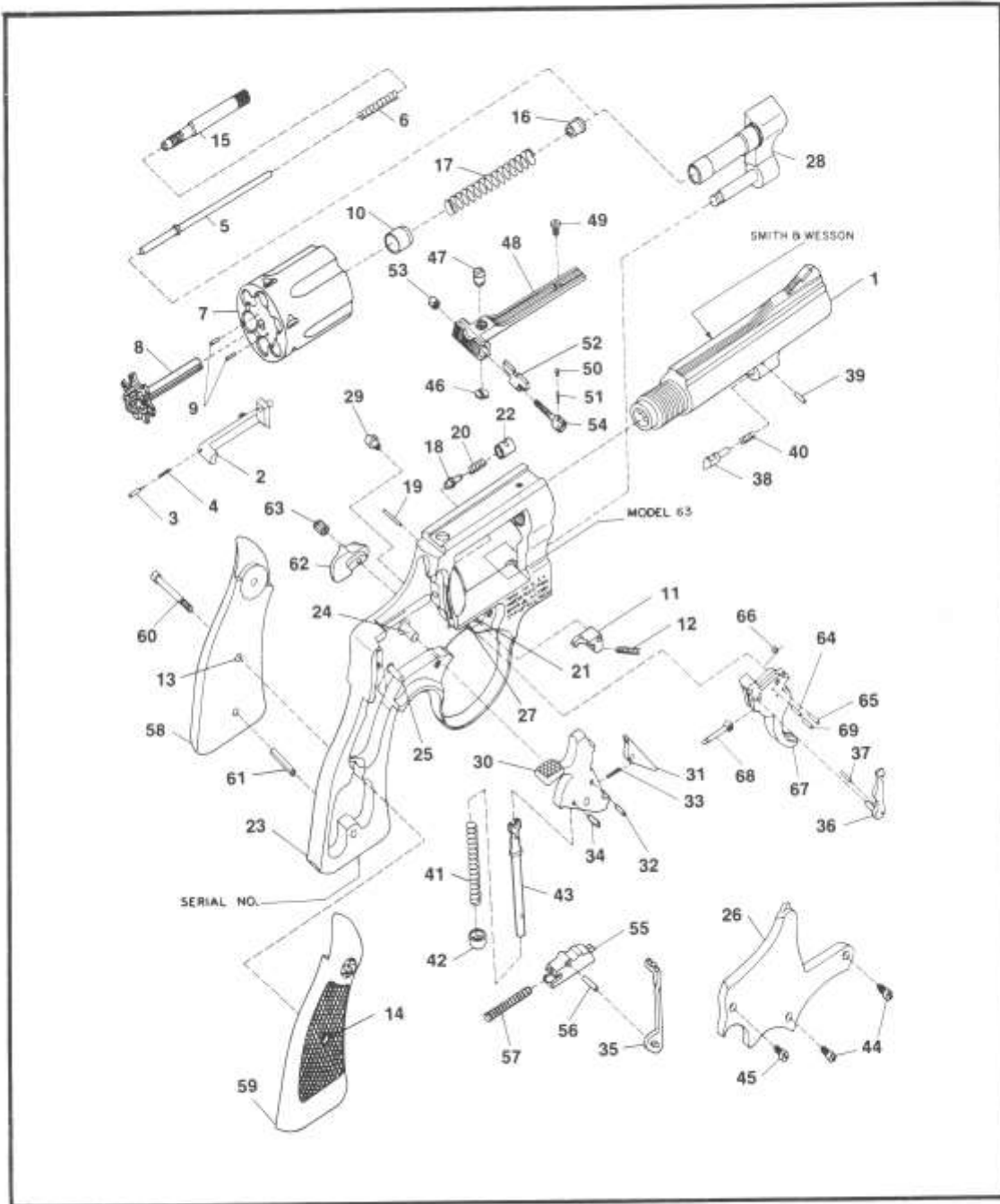


MODEL NO. 63-1

1977 .22/.32 KIT GUN, STAINLESS REVOLVER

J FRAME .22 CALIBER REVOLVER



EXPLODED VIEW DIAGRAM.

MODEL 63

MODEL NO. 63-1
J FRAME .22 CALIBER REVOLVER
PARTS PRICE SCHEDULE

<i>View #</i>	<i>Part Number</i>	<i>Part Description</i>	<i>View #</i>	<i>Part Number</i>	<i>Part Description</i>
1	077510000	Barrel, 4 1/2"	41	071040000	Mainspring
2	075570000	Bolt	42	070610000	Mainspring Rod Swivel
3	070980000	Bolt Plunger	43	070840000	Mainspring Stirrup
4	070200000	Bolt Plunger Spring	44	070850000	Plate Screw, Crowned
5	071320000	Center Pin	45	070370000	Plate Screw, Flat Head
6	071330000	Center Pin Spring	46-54	074130000	Rear Sight Ass'y.,
7-10	071340000	Cylinder Ass'y.,			Includes:
		Includes:	46	071540000	Rear Sight Elevation Click Plug
7	071340000	Cylinder (1)	47	053630000	Rear Sight Elevation Screw
8	071350000	* Extractor	48	057910000	Rear Sight Leaf
9	072620000	Extractor Pin	49	071570000	Rear Sight Leaf Screw
10	071490000	Gas Ring	50	071580000	Rear Sight Plunger
11	077750000	Cylinder Stop	51	071590000	Rear Sight Plunger Spring
12	071280000	Cylinder Stop Spring	52	033130000	Rear Sight Slide
13	040670000	Escutcheon	53	051070000	Rear Sight Windage Nut
14	040680000	Escutcheon Nut	54	071620000	Rear Sight Windage Screw
15	071360000	Extractor Rod	55-56	070860000	Rebound Slide Assembly
16	076830000	Extractor Rod Collar			Includes:
17	075810000	Extractor Spring	55	070860000	Rebound Slide (1)
18	075510000	Firing Pin	56	070870000	Rebound Slide Pin
19	071420000	Firing Pin Bushing Pin	57	070280000	Rebound Slide Spring
20	043460000	Firing Pin Spring	58-60	161060000	Stock Ass'y.,
21-28	076600000	*Frame Assembly			Includes:
		Includes:	58	032410000	Stock, left (1)
21	070700000	Cylinder Stop Stud	59	032420000	Stock, right (1)
22	075500000	Firing Pin Bushing	60	072550000	Stock Screw
23	075840000	* Frame (1)	61	070220000	Stock Pin
24	070690000	Hammer Stud	62	071020100	Thumbpiece
25	070700000	Rebound Slide Stud	63	070250000	Thumbpiece Nut
26	070900000	* Sideplate	64-69	049350000	Trigger Ass'y.,
27	070700000	Trigger Stud			Includes:
28	071650000	* Yoke	64	070820000	Hand Spring Pin
29	076650000	Frame Lug	65	070810000	Hand Spring Torsion Pin
30-34	049020000	Hammer Ass'y.,	66	070800000	Hand Torsion Spring
		Includes:	67	031290000	Trigger (1)
30	031200000	Hammer (1)	68	070970000	Trigger Lever
31	070880000	Sear	69	070810000	Trigger Lever Pin
32	070810000	Sear Pin			
33	070200000	Sear Spring			
34	071090000	Stirrup Pin			
35	070760000	Hammer Block			
36	071510000	Hand			
37	070790000	Hand Pin			
38	070120000	Locking Bolt			
39	070830000	Locking Bolt Pin			
40	070140000	Locking Bolt Spring			

* Requires factory installation.
Note (1): Sold as an assembly only.
N.I. = Not illustrated.

SPECIFY MODEL NUMBER, FINISH, PART NUMBER AND PART NAME WHEN ORDERING PARTS.