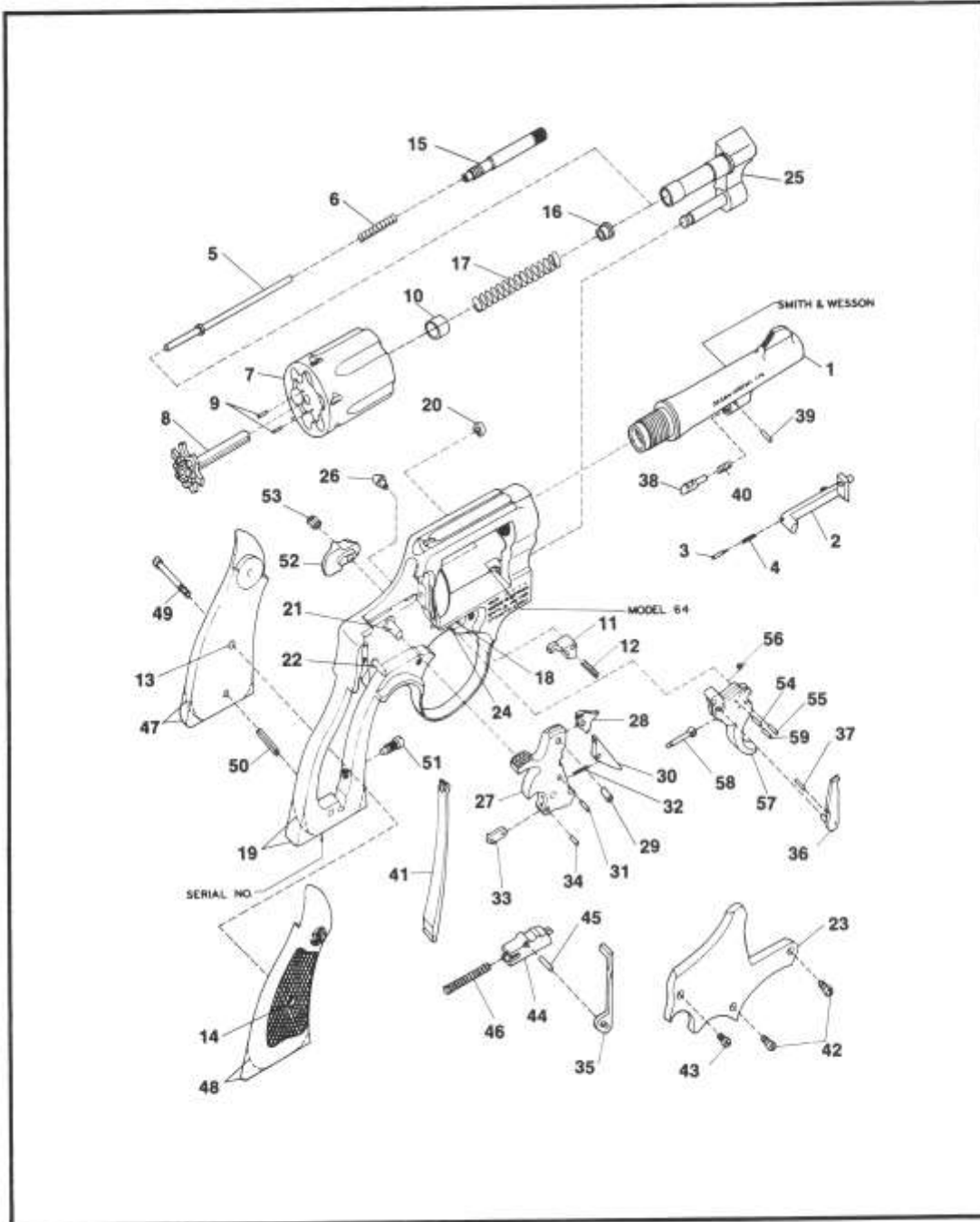


MODEL NO. 64-2 MODEL NO. 64-3 .38 MILITARY & POLICE STAINLESS REVOLVER K FRAME .38 CALIBER REVOLVER



EXPLODED VIEW DIAGRAM.

MODEL 64

**MODEL NO. 64-2 MODEL NO. 64-3
K FRAME .38 CALIBER REVOLVER
PARTS PRICE SCHEDULE**

View #	Part Number	Part Description	View #	Part Number	Part Description
1	072760000	Barrel, 2"	38	070590000	Locking Bolt, 2"
1	076990000	Barrel, 3" Heavy	38	070120000	Locking Bolt, Over 2"
1	074080000	Barrel, 4" Heavy	39	070130000	Locking Bolt Pin, 2"
2	074410000	Bolt	39	072530000	Locking Bolt Pin, Over 2"
3	070980000	Bolt Plunger	40	070140000	Locking Bolt Spring
4	070200000	Bolt Plunger Spring	41	050470000	Mainspring
5	074690000	Center Pin, 2"	42	070170000	Plate Screw, Crowned
5	074720000	Center Pin, Over 2"	43	070370000	Plate Screw, Flat Head
6	074640000	Center Pin Spring	44-45	070340000	Rebound Slide Assembly
7-10	074730000	Cylinder Assembly			Includes:
		Includes:	44	070340000	Rebound Slide (1)
7	074730000	Cylinder (1)	45	070320000	Rebound Slide Pin
8	074620000	* Extractor	46	070280000	Rebound Slide Spring
9	072620000	Extractor Pin	47-49	161080000	Stock Assembly, Ckrd. Walnut, Round
10	074270000	Gas Ring			Includes:
11	070460000	Cylinder Stop	47	032470000	Stock, Left (1)
12	070550000	Cylinder Stop Spring	48	032480000	Stock, Right (1)
13	040670000	Escutcheon	49	072270000	Stock Screw for Round Butt
14	040680000	Escutcheon Nut	47-49	161040000	Stock Assembly, Ckrd. Walnut, Square
15	072330000	Extractor Rod, 2"			Includes:
15	070050000	Extractor Rod, Over 2"	47	032430000	Stock, Left (1)
16	076850000	Extractor Rod Collar	48	032440000	Stock, Right (1)
17	075460000	Extractor Spring	49	070510000	Stock Screw for Square Butt
18-25	074340000	*Frame Assembly, Round Butt	50	070220000	Stock Pin
18-25	075850000	*Frame Assembly, Round Butt, Heavy ...	51	072280000	Strain Screw, Round
18-25	074350000	*Frame Assembly, Square Butt, Heavy ...	51	071290000	Strain Screw, Square
		Includes:	52	070240100	Thumbpiece
18	076890000	Cylinder Stop Stud	53	070250000	Thumbpiece Nut
19	075850000	* Frame Square	54-59	047290000	Trigger Assembly
20	071240000	Hammer Nose Bushing			Includes:
21	076900000	Hammer Stud	54	070190000	Hand Spring Pin
22	076890000	Rebound Slide Stud	55	070190000	Hand Spring Torsion Pin
23	070410000	* Side Plate	56	070400000	Hand Torsion Spring
24	070300100	Trigger Stud	57	031310000	Trigger (1)
25	074280000	* Yoke	58	070270000	Trigger Lever
26	076670000	Frame Lug	59	070190000	Trigger Lever Pin
27-34	049070000	Hammer Assembly			
		Includes:			
27	031220000	Hammer (1)			
28	075800000	Hammer Nose			
29	057700000	Hammer Nose Rivet			
30	070390000	Sear			
31	070190000	Sear Pin			
32	070200000	Sear Spring			
33	070210000	Stirrup			
34	070190000	Stirrup Pin			
35	070330000	Hammer Block			
36	077680000	Hand			
37	070110000	Hand Pin			

* Requires factory installation.
Note (1): Sold as an assembly only.
N.I. = Not illustrated.

SPECIFY MODEL NUMBER, FINISH, PART NUMBER AND PART NAME WHEN ORDERING PARTS.