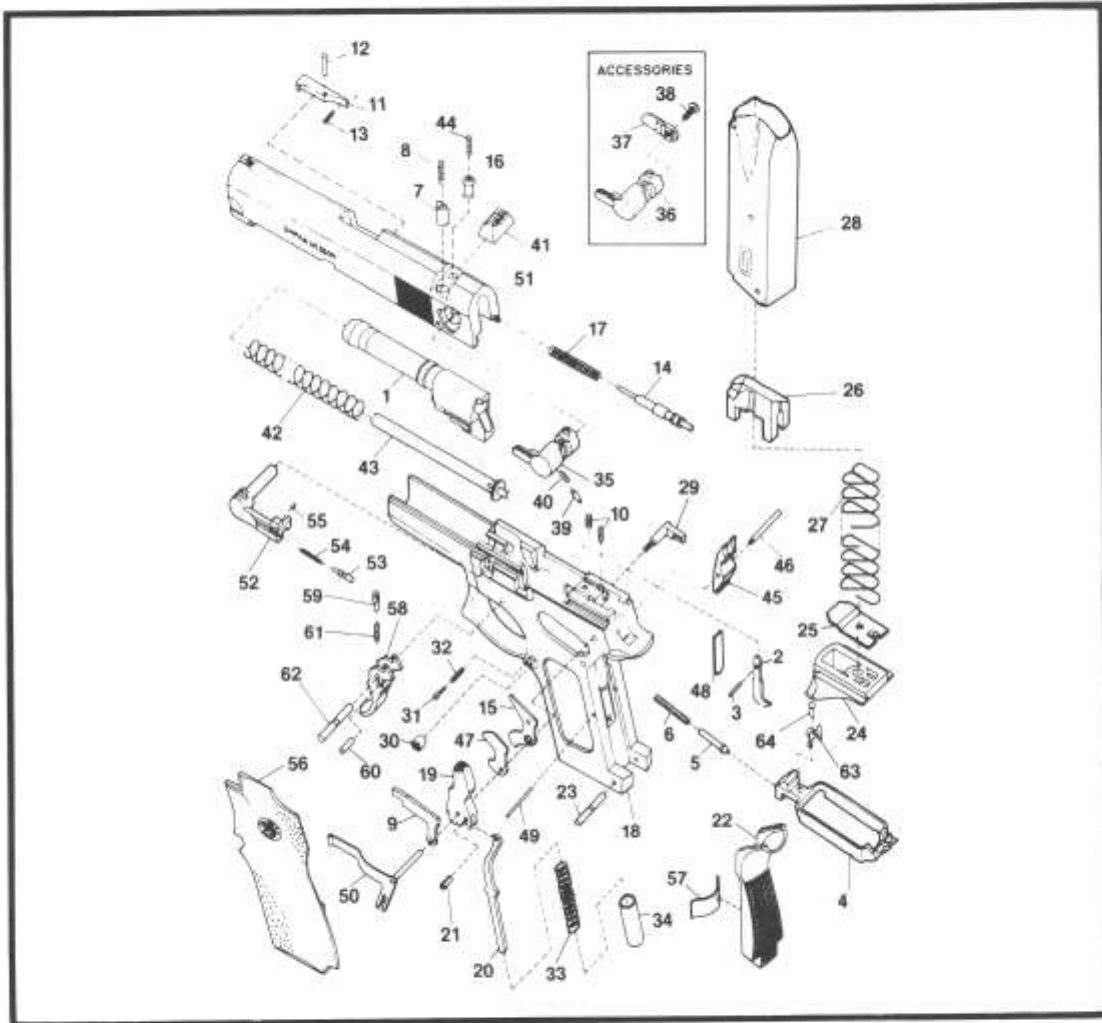


MODEL NO. 669

9MM AUTOMATIC PISTOL

STAINLESS DOUBLE ACTION



EXPLODED VIEW DIAGRAM.

MODEL 669

MODEL NO. 669
9MM AUTOMATIC PISTOL STAINLESS DOUBLE ACTION
PARTS PRICE SCHEDULE

View #	Part Number	Part Description	View #	Part Number	Part Description
1	101710000	Barrel	38	105130000	Manual Safety Lever Screw, Ambidextrous
2-3	101390000	Disconnecter Assembly	39	100310000	Manual Safety Plunger
		Includes:	40	063720000	Manual Safety Plunger Spring
2	069540000	Disconnecter (1)	41	100790000	Rear Sight, White Outline
3	068040000	Disconnecter Pin	42	100950000	Recoil Spring
4	101380000	Drawbar	43	101810000	Recoil Spring Guide Assembly
5	068060000	Drawbar Plunger		101820000	Recoil Spring Guide (1), N.I.
6	068070000	Drawbar Plunger Spring		100190000	Recoil Spring Guide Bushing (1), N.I.
7	068870000	Ejector Depressor Plunger		068540000	Recoil Spring Guide Plunger (1), N.I.
8	060140000	Ejector Depressor Plunger Spring		060640000	Recoil Spring Guide Plunger Spring (1), N.I.
9	103710000	Ejector Magazine Depressor	44	063890000	Safety Lever Plunger Spring
10	060170000	Ejector Spring	45	100920000	Sear
11	101720000	Extractor	46	101880000	Sear Pin
12	100050000	Extractor Pin	47	103730000	Sear Release Lever
13	100870000	Extractor Spring	48	104230000	Sear Spring
14	103660000	Firing Pin	49	069140000	Sear Spring Retaining Pin
15	100290000	Firing Pin Safety Lever	50	101840000	Sideplate
16	069250000	Firing Pin Safety Plunger	51	101780000	Slide
17	100300000	Firing Pin Spring	52-55	101760000	Slide Stop Assembly
18	102080000	*Frame			Includes:
19-21	103990000	Hammer Assembly	52	101770000	Slide Stop (1)
		Includes:	53	068690000	Slide Stop Plunger
19	101750000	Hammer	54	063030000	Slide Stop Plunger Spring
20	069680000	Stirrup	55	064700000	Slide Stop Spiral Pin
21	068730000	Stirrup Pin	56	161180000	Stock Assembly
22	103610000	Insert	56	103030000	Stock, left (1)
23	069050000	Insert Pin	—	103020000	Stock, right (1) N.I.
24-28	100850000	Magazine Assembly	57	069650000	Stock Retaining Spring
		Includes:	58-61	103140000	Trigger Assembly
24	069800000	Magazine Butt Plate			Includes:
25	064710000	Magazine Butt Plate Catch	58	103150000	Trigger (1)
26	100260000	Magazine Follower	59	068780000	Trigger Plunger
27	069720000	Magazine Spring	60	068790000	Trigger Plunger Pin
28	069730000	Magazine Tube	61	061220000	Trigger Plunger Spring
29	064720000	Magazine Catch	62	069050000	Trigger Pin
30	069350000	Magazine Catch Nut	63	101260000	Trigger Play Spring
31	068290000	Magazine Catch Plunger	64	068770000	Trigger Play Spring Rivet
32	068300000	Magazine Catch Plunger Spring			
33	069740000	Mainspring			
34	068350000	Mainspring Plunger			
35	101890000	Manual Safety			
36	101970000	Manual Safety, Ambidextrous			
37	101980000	Manual Safety Lever, Ambidextrous			

* Requires factory installation.

Note (1): Sold as an assembly only.

N.I. = Not illustrated.

SPECIFY MODEL NUMBER, FINISH, PART NUMBER AND PART NAME WHEN ORDERING PARTS.