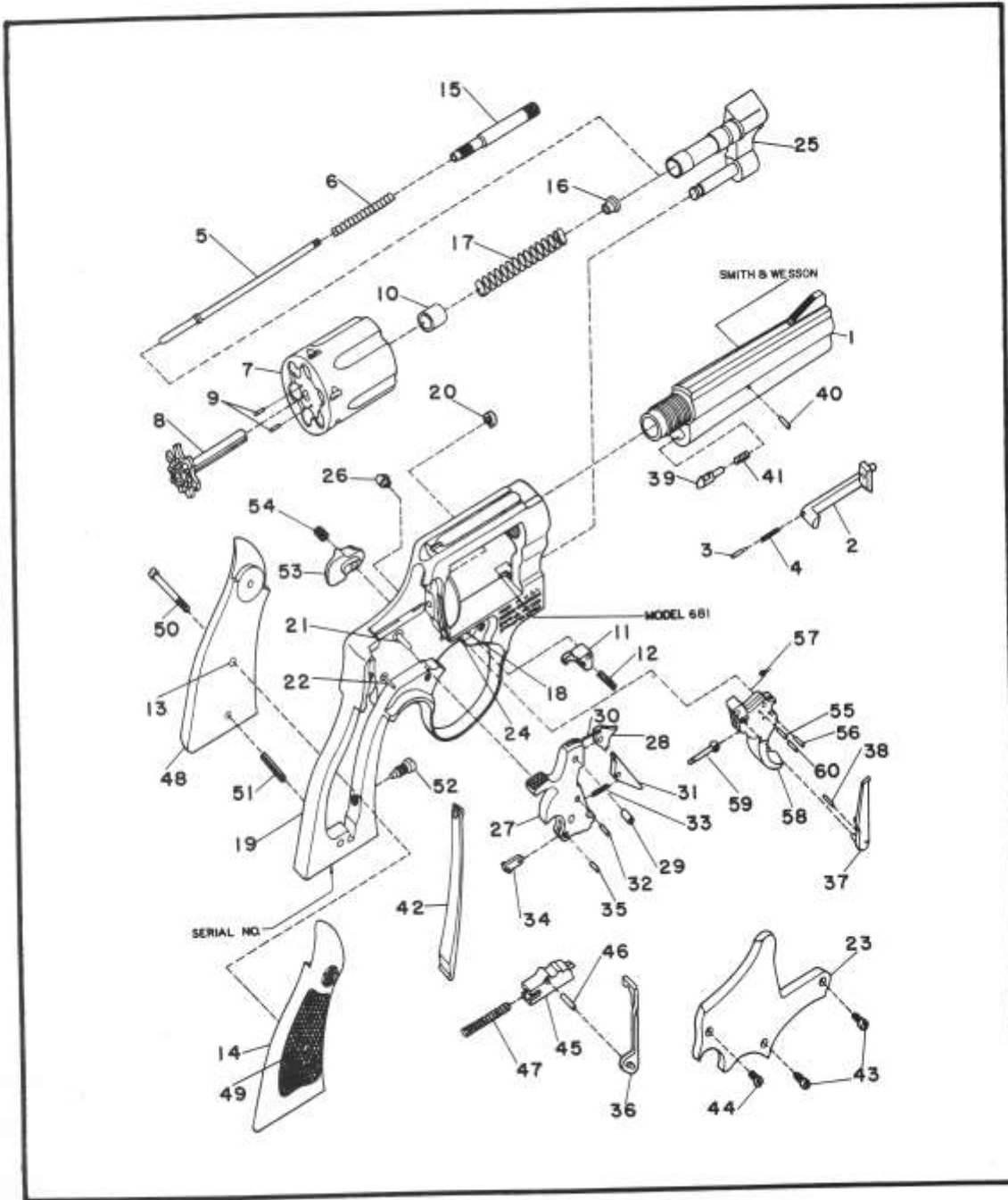


# MODEL NO. 681-1 DISTINGUISHED SERVICE MAGNUM REVOLVER L FRAME .357 CALIBER REVOLVER



EXPLODED VIEW DIAGRAM.

MODEL 681

**MODEL NO. 681-1**  
**.357 DISTINGUISHED SERVICE MAGNUM**  
**PARTS PRICE SCHEDULE**

<i>View #</i>	<i>Part Number</i>	<i>Part Description</i>	<i>View #</i>	<i>Part Number</i>	<i>Part Description</i>
1	075420000	*Barrel, 4 1/4" .....	36	071150000	Hammer Block .....
2	047120000	Bolt .....	37	077630000	Hand .....
3	070980000	Bolt Plunger .....	38	070110000	Hand Pin .....
4	070200000	Bolt Plunger Spring .....	39	070590000	Locking Bolt .....
5	074720000	Center Pin .....	40	075430000	Locking Bolt Pin .....
6	074640000	Center Pin Spring .....	41	070140000	Locking Bolt Spring .....
7-10	075210000	*Cylinder Assembly Includes:	42	050470000	Mainspring .....
7	075210000	* Cylinder (1) .....	43	070170000	Plate Screw, Crowned .....
8	075190000	* Extractor (1) .....	44	070370000	Plate Screw, Flat Head .....
9	072620000	Extractor Pin .....	45-46	070340000	Rebound Slide Assembly Includes:
10	074270000	Gas Ring .....	45	070340000	Rebound Slide (1) .....
11	070460000	Cylinder Stop .....	46	070320000	Rebound Slide Pin .....
12	070550000	Cylinder Stop Spring .....	47	070280000	Rebound Slide Spring .....
13	040670000	Escutcheon .....	48-50	161040000	Stock Ass'y., Ckrd. Walnut, Square Butt Includes:
14	040680000	Escutcheon Nut .....	48	032430000	Stock, Left (1) .....
15	070050000	Extractor Rod .....	49	032440000	Stock, Right (1) .....
16	076850000	Extractor Rod Collar .....	50	070510000	Stock Screw .....
17	075460000	Extractor Spring .....	51	070220000	Stock Pin .....
18-25	077720000	* Frame Assembly Includes:	52	071290000	Strain Screw .....
18	076890000	Cylinder Stop Stud .....	53	070240100	Thumbpiece .....
19	—	* Frame (1) .....	54	070250000	Thumbpiece Nut .....
20	071240000	Hammer Nose Bushing .....	55-60	033640000	Trigger Assembly Includes:
21	076900000	Hammer Stud .....	55	070190000	Hand Spring Pin .....
22	076890000	Rebound Slide Stud .....	56	070190000	Hand Spring Torsion Pin .....
23	070410000	* Sideplate .....	57	070400000	Hand Torsion Spring .....
24	070300100	Trigger Stud .....	58	031310000	Trigger (1) .....
25	076720000	* Yoke .....	59	070270000	Trigger Lever .....
26	076670100	Frame Lug .....	60	070190000	Trigger Lever Pin .....
27-35	033820000	Hammer Assembly Includes:			
27	031250000	Hammer (1) .....			
28	075130000	Hammer Nose .....			
29	057700000	Hammer Nose Rivet .....			
30	072960000	Hammer Nose Spring .....			
31	070390000	Sear .....			
32	070190000	Sear Pin .....			
33	070200000	Sear Spring .....			
34	070210000	Stirrup .....			
35	070190000	Stirrup Pin .....			

\* Requires factory installation.  
Note (1): Sold as an assembly only.  
N.I. = Not illustrated.

**SPECIFY MODEL NUMBER, FINISH, PART NUMBER AND PART NAME WHEN ORDERING PARTS.**