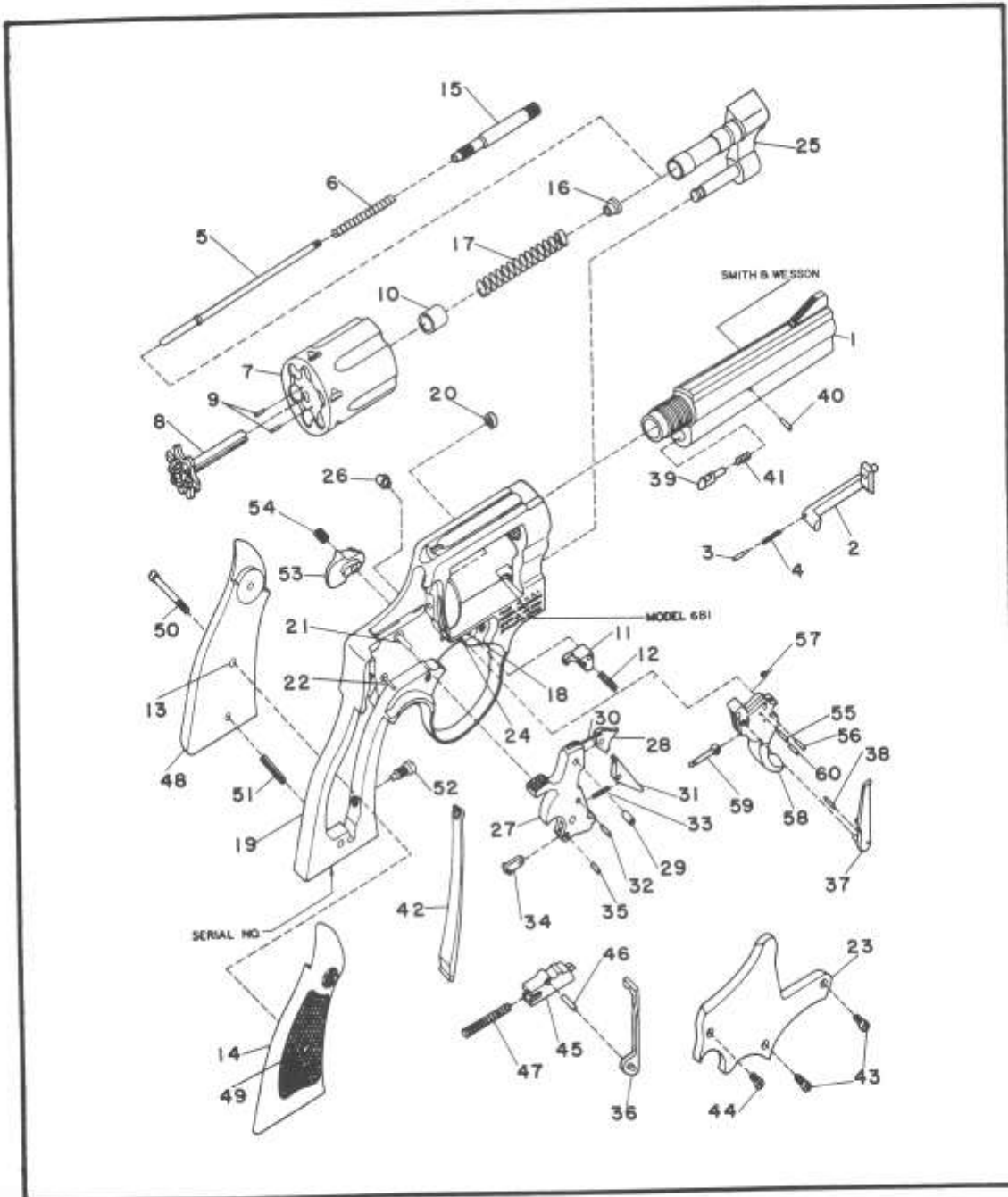


MODEL NO. 681

DISTINGUISHED SERVICE MAGNUM REVOLVER

L FRAME .357 CALIBER REVOLVER



EXPLODED VIEW DIAGRAM.

MODEL 681

MODEL NO. 681
.357 DISTINGUISHED SERVICE MAGNUM
PARTS PRICE SCHEDULE

<i>View #</i>	<i>Part Number</i>	<i>Part Description</i>	<i>View #</i>	<i>Part Number</i>	<i>Part Description</i>
1	075420000	*Barrel, 4 1/4"	36	071150000	Hammer Block
2	047120000	Bolt	37	075220000	Hand
3	070980000	Bolt Plunger	38	070110000	Hand Pin
4	070200000	Bolt Plunger Spring	39	070590000	Locking Bolt
5	074720000	Center Pin	40	075430000	Locking Bolt Pin
6	074640000	Center Pin Spring	41	070140000	Locking Bolt Spring
7-10	075210000	*Cylinder Assembly	42	050470000	Mainspring
		Includes:	43	070170000	Plate Screw, Crowned
7	075210000	* Cylinder (1)	44	070370000	Plate Screw, Flat Head
8	075190000	* Extractor (1)	45-46	072930000	Rebound Slide Assembly
9	072620000	Extractor Pin			Includes:
10	074270000	Gas Ring	45	070340000	Rebound Slide (1)
11	070460000	Cylinder Stop	46	070320000	Rebound Slide Pin
12	070550000	Cylinder Stop Spring	47	070280000	Rebound Slide Spring
13	040670000	Escutcheon	48-50	161040000	Stock Ass'y., Ckrd. Walnut, Square Butt
14	040680000	Escutcheon Nut			Includes:
15	070050000	Extractor Rod	48	032430000	Stock, Left (1)
16	076850000	Extractor Rod Collar	49	032440000	Stock, Right (1)
17	075460000	Extractor Spring	50	070510000	Stock Screw
18-25	077720000	* Frame Assembly	51	070220000	Stock Pin
		Includes:	52	071290000	Strain Screw
18	076890000	Cylinder Stop Stud	53	070240100	Thumbpiece
19	—	* Frame (1)	54	070250000	Thumbpiece Nut
20	071240000	Hammer Nose Bushing	55-60	047290000	Trigger Assembly
21	076900000	Hammer Stud			Includes:
22	076890000	Rebound Slide Stud	55	070190000	Hand Spring Pin
23	070410000	* Sideplate	56	070190000	Hand Spring Torsion Pin
24	070300100	Trigger Stud	57	070400000	Hand Torsion Spring
25	076720000	* Yoke	58	031310000	Trigger (1)
26	076670100	Frame Lug	59	070270000	Trigger Lever
27-35	033820000	Hammer Assembly	60	070190000	Trigger Lever Pin
		Includes:			
27	031250000	Hammer (1)			
28	075130000	Hammer Nose			
29	057700000	Hammer Nose Rivet			
30	072960000	Hammer Nose Spring			
31	070390000	Sear			
32	070190000	Sear Pin			
33	070200000	Sear Spring			
34	070210000	Stirrup			
35	070190000	Stirrup Pin			

* Requires factory installation.
Note (1): Sold as an assembly only.
N.I. = Not illustrated.

SPECIFY MODEL NUMBER, FINISH, PART NUMBER AND PART NAME WHEN ORDERING PARTS.